

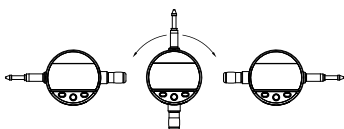
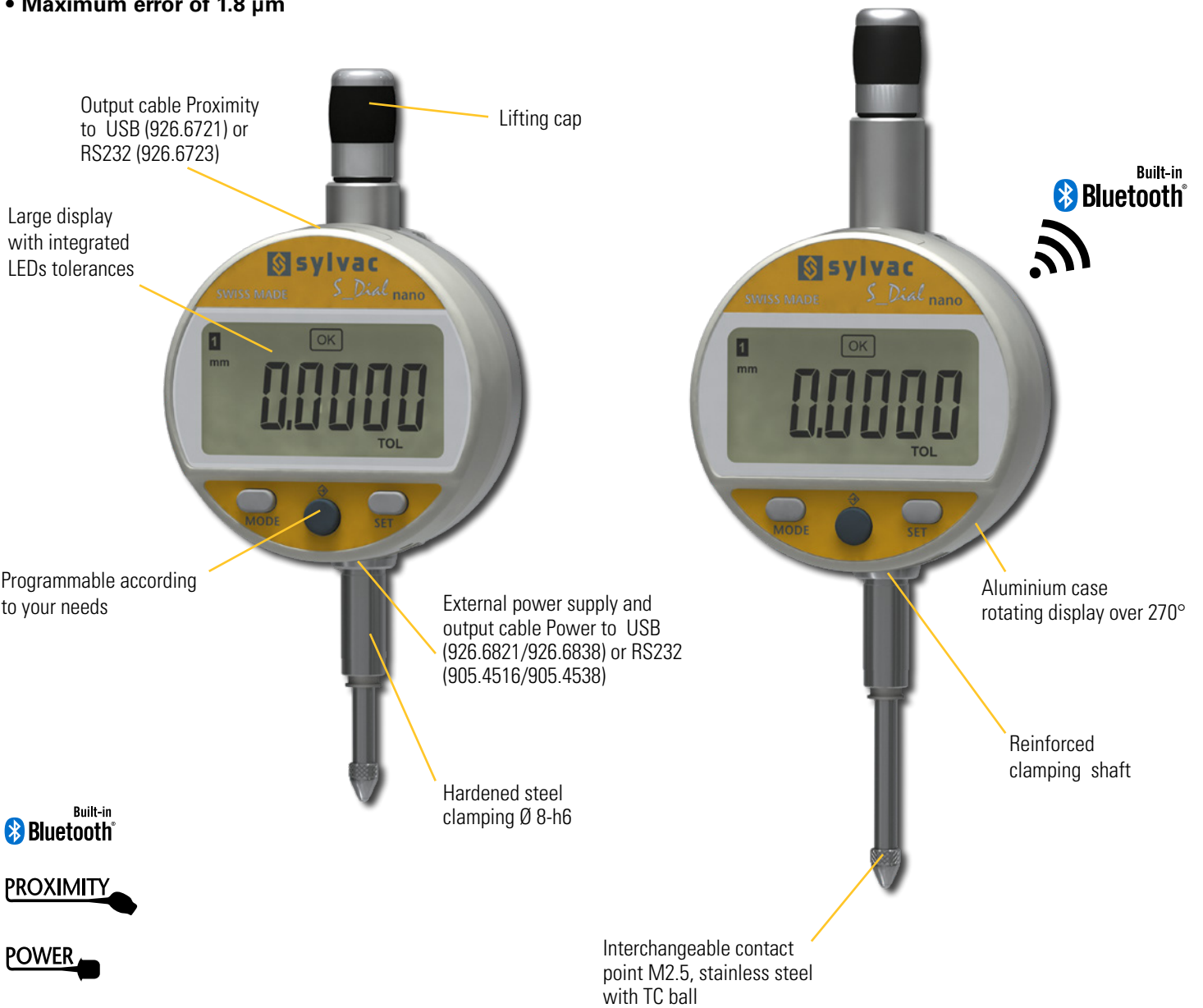
Digital indicators

S_Dial WORK

DESCRIPTION

NANO & NANO SMART

- **0,1 µm resolution**
- Robust construction
- Water and coolant resistant
- New technology with configurable menus
- **Broad choice of functions (MIN/MAX/DELTA, TOL, Factor, PRESET, AUTO OFF, etc.)**
- Automatic wake-up and sleeping mode, **Absolute System S.I.S***
- **Maximum error of 1.8 µm**



* SIS Smart Inductive System description on page 5

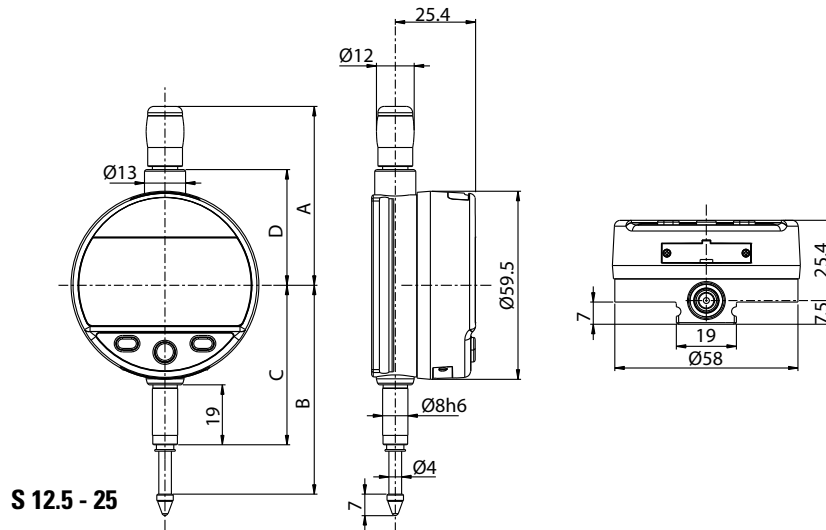
Max error 1.8 µm
Repeatability 0,5 µm

Digital indicators

S_Dial WORK

DIMENSIONAL DRAWINGS

NANO & NANO SMART



S 12.5 - 25

TECHNICAL SPECIFICATIONS

		805.5306	805.5506	805.6306	805.6506
Measuring range	mm	12.5	25	12.5	25
Resolution	mm	0.0001	0.0001	0.0001	0.0001
Max. Error fe	µm	1.8	2.2	1.8	2.2
Repeatability	µm	0.5			
IP rating		IP54			
A	mm	56.7	69.4	56.7	69.4
B	mm	66.1	78.5	66.1	78.5
C	mm	50.5	50.5	50.5	50.5
D	mm	36.6	49.4	36.6	49.4
Output data		USB / RS232		USB / RS232 / Bluetooth® wireless technology*	
Programmable by PC		●			
Standard functions (customized by PC)		mm/inch, ref I/II, preset (max 999.999) min/max/delta, tolerances, resolution, direction of measurement, multiplication factor, automatic or manual switch off, key lock			

*** Up to 8 instruments connected per dongle #981.7100**
More informations on How to use Bluetooth® leaflet SYL_1401_EN_BT

BASIC INSTRUMENT

MEASURING FORCE

		S 12.5	S 25
• Instrument according to technical specifications			
• Lithium battery CR2032 included			
• Instruction manual			
• Calibration certificate			
Standard	N	0.65 - 0.90	0.65 - 1.15
Low ²⁾	N	0.4 - 0.55	0.45 - 0.9
High ²⁾	N	1.0 - 1.6	0.9 - 1.8

Tolerance ± 20%, spindle in outgoing measurement position.
²⁾ on request