

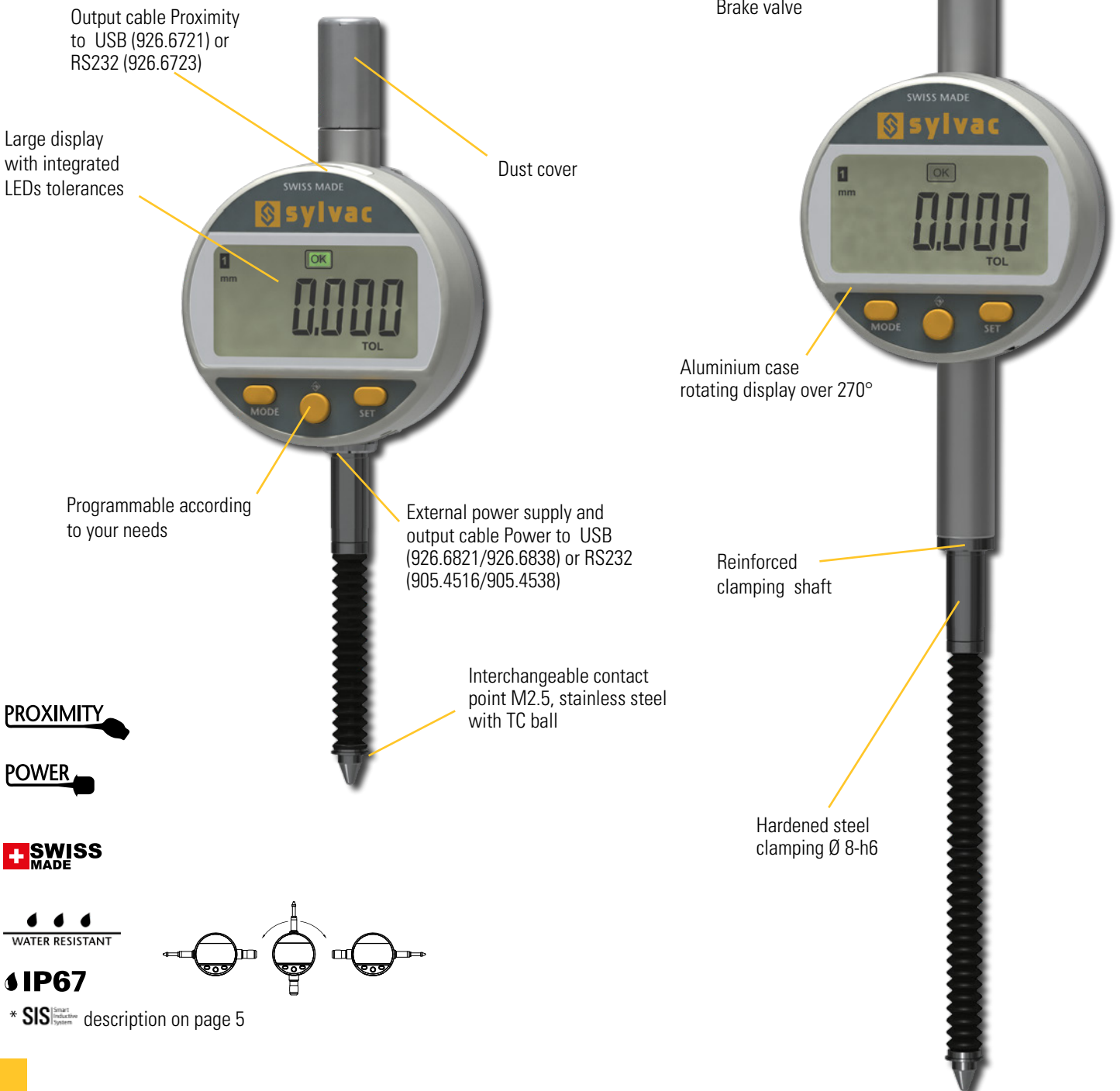
Digital indicators

S_Dial WORK

DESCRIPTION

ADVANCED IP67

- Robust construction
- Water and coolant resistant
- Protection rating IP67 according to IEC 60529, **even connected**
- New technology with configurable menus
- **Broad choice of functions (MIN/MAX/DELTA, TOL, Factor, PRESET, AUTO OFF, etc.)**
- Automatic wake-up and sleeping mode, **Absolute System S.I.S**
- **Maximum error of 3 µm**

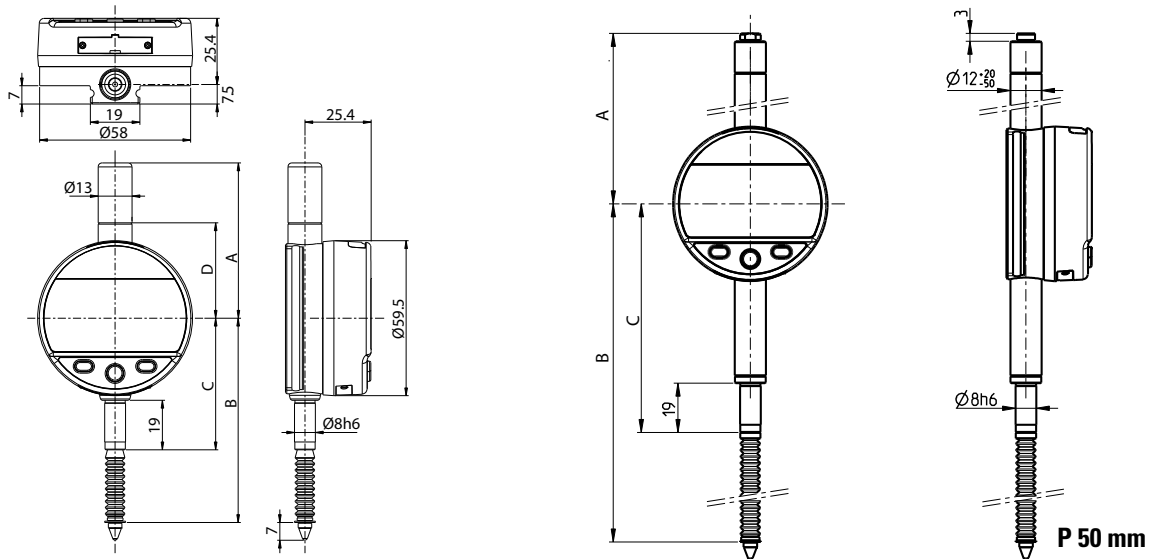


Digital indicators

S_Dial WORK

DIMENSIONAL DRAWINGS

ADVANCED IP67



P 12.5-25 mm

P 50 mm

TECHNICAL SPECIFICATIONS

		805.5305	805.5505	805.5625
Measuring range	mm	12.5	25	50
Resolution	mm	0.001	0.001	0.001
Max. Error fe	µm	3	4	5
Repeatability	µm		2	
IP rating			IP67	
A	mm	59.6	85.4	104.4
B	mm	78.4	99.7	175.3
C	mm	50.5	50.5	88
D	mm	36.6	49.4	-
Output data		USB / RS232		
Programmable by PC		●		
Standard functions (customized by PC)		mm/inch, ref I/II, preset (max 999.999) min/max/delta, tolerances, resolution, direction of measurement, multiplication factor, automatic or manual switch off, key lock		

BASIC INSTRUMENT

MEASURING FORCE

		P 12.5	P 25	P 50	
● Instrument according to technical specifications					
● Lithium battery CR2032 included					
● Instruction manual					
● Calibration certificate for instruments 0.001 mm					
	Standard	N	0.7 – 1.4	0.65 – 1.8	0.9 – 2.8
	Low ²⁾	N	---	---	---
	High ²⁾	N	---	---	---

Tolerance ± 20%, spindle in outgoing measurement position.
²⁾ on request

B