

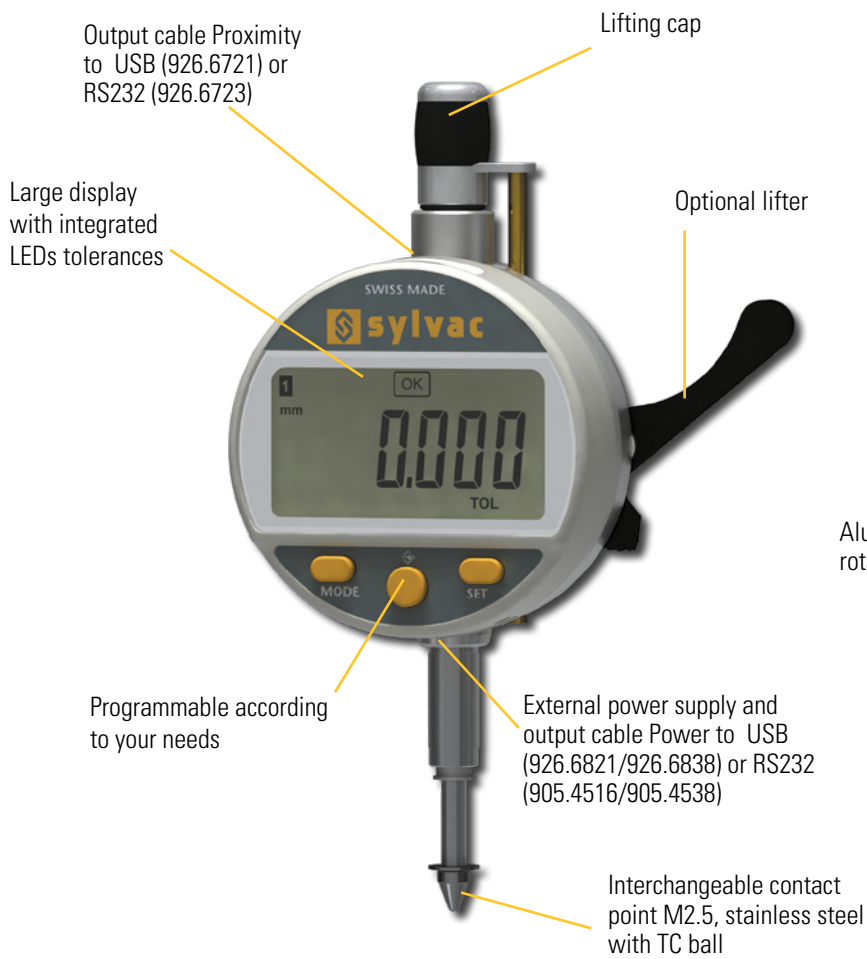
Digital indicators

S_Dial WORK

DESCRIPTION

ADVANCED

- Robust construction
- Water and coolant resistant
- New technology with configurable menus
- **Broad choice of functions (MIN/MAX/DELTA, TOL, Factor, PRESET, AUTO OFF, etc.)**
- Automatic wake-up and sleeping mode, **Absolute System S.I.S***
- **Maximum error of 3 µm**

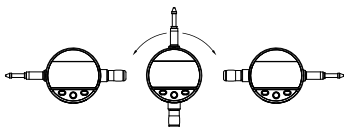


PROXIMITY

POWER

SWISS MADE

WATER RESISTANT



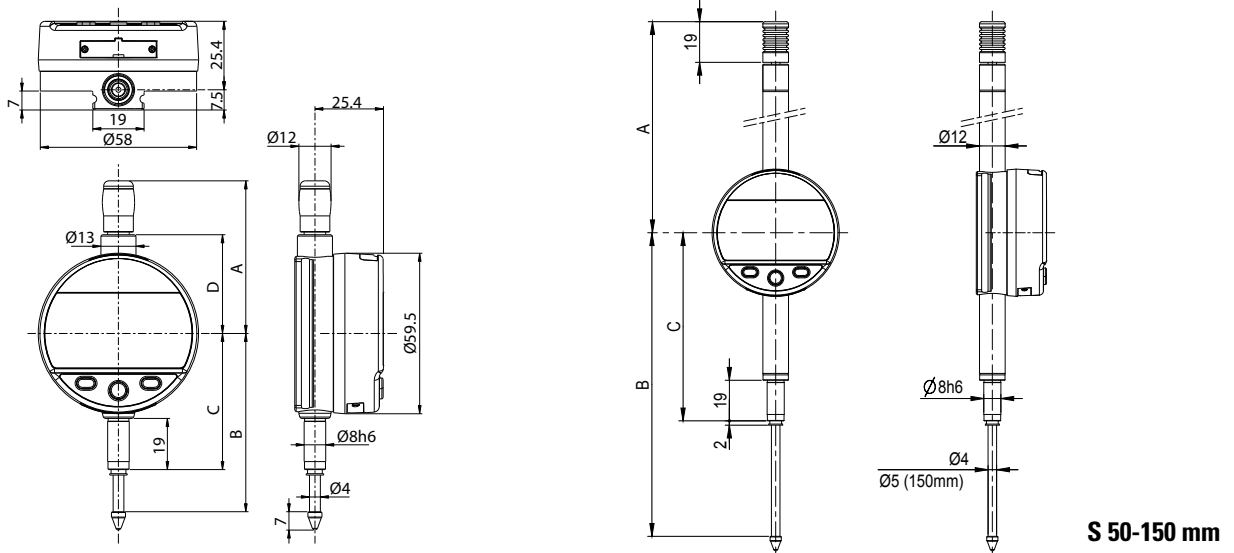
* SIS description on page 5

Digital indicators

S_Dial WORK

DIMENSIONAL DRAWINGS

ADVANCED



S 12.5-25 mm

S 50-150 mm

TECHNICAL SPECIFICATIONS

		805.5201	805.5301	805.5401	805.5501	805.5601	805.5621	805.5641	805.5661	805.5671	805.5681
Measuring range	mm	12.5	12.5	25	25	50	50	100	100	150	150
Resolution	mm	0.01	0.001	0.01	0.001	0.01	0.001	0.01	0.001	0.01	0.001
Max. Error fe	µm	10 ¹⁾	3	10 ¹⁾	4	20 ¹⁾	5	20 ¹⁾	6	20 ¹⁾	10
Repeatability	µm	2									
IP rating		IP54									
A	mm	56.7		69.4		121		172		224	
B	mm	66.1		78.5		142		244		349	
C	mm	50.5		50.5		88		139		193	
D	mm	36.6		49.4		-		-		-	
Output data		USB / RS232									
Programmable by PC		●									
Standard functions (customized by PC)		mm/inch, ref I/II, preset (max 999.999) min/max/delta, tolerances, resolution, direction of measurement, multiplication factor, automatic or manual switch off, key lock									

¹⁾ ± 1 digit

BASIC INSTRUMENT

MEASURING FORCE

			12.5	25	50	100	150
● Instrument according to technical specifications							
● Lithium battery CR2032 included							
● Instruction manual							
● Calibration certificate for instruments 0.001 mm							
	Standard	N	0.65 - 0.9	0.65 - 1.15	1.1 - 2.6	1.8 - 3.8	2.6 - 5.7
	Low ²⁾	N	0.4 - 0.55	0.45 - 0.9	---	---	---
	High ²⁾	N	1.0 - 1.6	0.9 - 1.8	---	---	---

Tolerance ± 20%, spindle in outgoing measurement position.
²⁾ on request

B