

# Digital indicators

# S\_Dial WORK

## DESCRIPTION

## BASIC

- Robust construction
- Water and coolant resistant
- **Standard functions (mm/inch, set, direction of measurement)**
- Automatic wake-up and sleeping mode, **Absolute System S.I.S\***



PROXIMITY

POWER

SWISS MADE

WATER RESISTANT

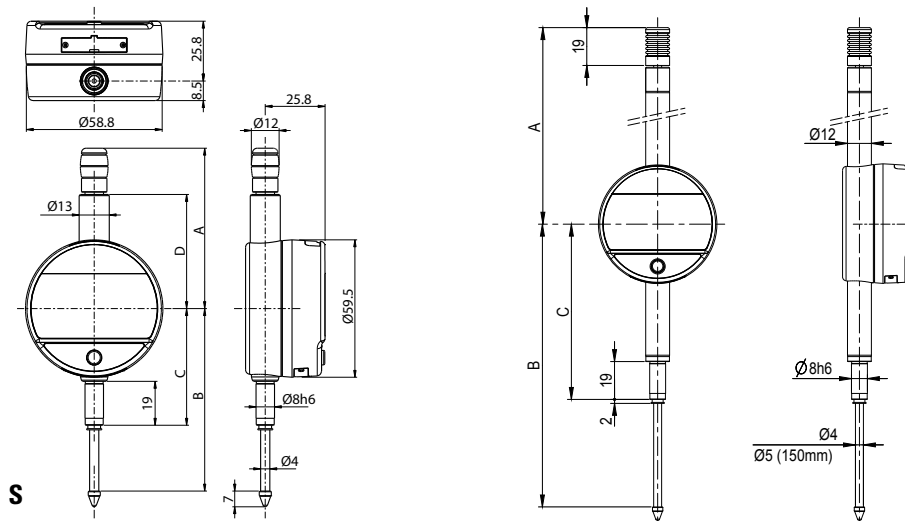
\* SIS description on page 5

# Digital indicators

# S\_Dial WORK

## DIMENSIONAL DRAWINGS

## BASIC



## TECHNICAL SPECIFICATIONS

|  |    | 805.1201   | 805.1301 | 805.1401         | 805.1501 | 805.1601         | 805.1621 |
|--|----|--|----------|------------------|----------|------------------|----------|
| Measuring range                          | mm | 12.5   | 12.5     | 25               | 25       | 50               | 50       |
| Resolution                               | mm | 0.01   | 0.001    | 0.01             | 0.001    | 0.01             | 0.001    |
| Max. Error fe                            | µm | 10 <sup>1)</sup>   | <b>4</b> | 10 <sup>1)</sup> | <b>5</b> | 20 <sup>1)</sup> | <b>7</b> |
| Repeatability                            | µm | 2  |          |                  |          |                  |          |
| IP rating                                |    | IP51   |          |                  |          |                  |          |
| A  | mm | 56.7   |          | 69.9             |          | 121.3            |          |
| B  | mm | 66.1   |          | 78.5             |          | 142              |          |
| C  | mm | 50.5   |          | 50.5             |          | 88               |          |
| D  | mm | 36.6   |          | 49.4             |          | -                |          |
| Output data                              |    | USB / RS232  |          |                  |          |                  |          |
| Programmable by PC                       |    | ●  |          |                  |          |                  |          |
| Standard functions<br>(customized by PC) |    | Preset (only programmable by PC with cable)<br>mm/inch, max 999.999), direction of measurement |          |                  |          |                  |          |

<sup>1)</sup> ± 1 digit

## BASIC INSTRUMENT

## MEASURING FORCE

|  |   | S 12.5      | S 25        | S 50      |
|--|---|-------------|-------------|-----------|
| • Instrument according to technical specifications |   |             |             |           |
| • Lithium battery CR2032 included                  |   |             |             |           |
| • Instruction manual                               |   |             |             |           |
| • Calibration certificate for instruments 0.001 mm |   |             |             |           |
| Standard   | N | 0.65 - 0.90 | 0.65 - 1.15 | 1.1 - 2.6 |
| Low <sup>3)</sup>                                  | N | 0.4 - 0.55  | 0.45 - 0.9  | ---       |
| High <sup>3)</sup>                                 | N | 1.0 - 1.6   | 0.9 - 1.8   | ---       |

Tolerance ± 20%, spindle in outgoing measurement position.  
<sup>3)</sup> on request