

# Digital indicators

# S\_Dial PRO

## DESCRIPTION

## SMART

- Robust digital comparator with Ø 59.5 mm housing rotatable by 270°.
- Large display resolution 0.0001 mm (0.1 µm) with tolerance status indication by colour LEDs
- High accuracy over the entire measuring range thanks to an electronically corrected scale system with reference marks
- Measuring error less than 1.2 µm over 50 mm
- Three buttons, including the central button with selectable favourite function
- Wide range of functions, including MIN/MAX/DELTA
- Bluetooth®, Proximity» and «Power» data outputs allowing the instrument to be used without batteries when connected by this cable.
- Available with a fixing diameter of 8 mm and 25 mm for some models
- Measuring range of your choice: 25, 50 and 100 mm
- Available in standard pressure or low-pressure version without return spring for vertical use.
- Protection class IP51



Large display with integrated LEDs tolerances

Aluminium case rotating display over 270°

Customizable button

Clamping ø25 - g7  
Stainless steel chrome

Output cable Proximity to USB (926-6721) or RS232 (926-6723)

50 mm

External power supply and output cable Power to USB (926-6821/926-6838) or RS232 (905-4516/905-4538)

Aluminium tube

Clamping ø8 - h6  
Stainless hardened steel

Lifter



100 mm

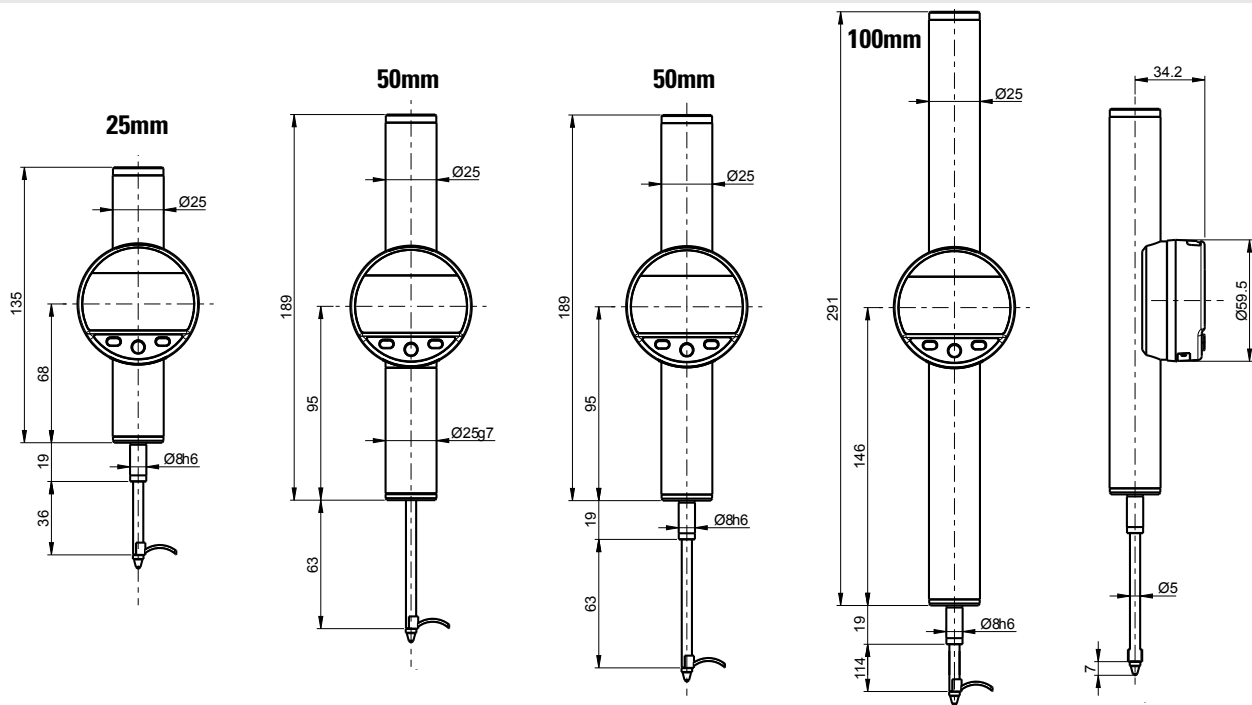
25 mm

# Digital indicators

# S\_Dial PRO

## DIMENSIONAL DRAWINGS

## SMART



## TECHNICALS SPECIFICATIONS

|  |    | 805-8501   | 805-8502           | 805-8601                 | 805-8701           | 805-8602                 | 805-8702           | 805-8661                  |
|--|----|--|--------------------|--------------------------|--------------------|--------------------------|--------------------|---------------------------|
| Measuring range                            | mm | 25   |                    | 50                       |                    |                          | 100                |                           |
| Resolution                                 | mm | 0.0001   |                    |                          |                    |                          |                    |                           |
| Max. Error fe                              | µm | <b>1.0</b>   |                    | <b>1.2</b>               |                    |                          | <b>1.8</b>         |                           |
| Repeatability                              | µm | 0.2  |                    |                          |                    |                          |                    |                           |
| Output data                                |    | USB / RS232 / Bluetooth® wireless technology*  |                    |                          |                    |                          |                    |                           |
| Programmable by PC                         |    | ●  |                    |                          |                    |                          |                    |                           |
| Clamping                                   |    | ø8 h6  |                    |                          | ø25 g7             |                          | ø8 h6              |                           |
| Spring                                     |    | ●  | <sup>1)</sup>      | ●                        | <sup>1)</sup>      | ●                        | <sup>1)</sup>      | ●                         |
| Measuring force                            | N  | 0.75 - 1.00 <sup>2)</sup>  | 0.30 <sup>2)</sup> | 0.85 - 1.2 <sup>2)</sup> | 0.40 <sup>2)</sup> | 0.85 - 1.2 <sup>2)</sup> | 0.40 <sup>2)</sup> | 0.90 - 1.30 <sup>2)</sup> |
| IP rating                                  |    | IP51   |                    |                          |                    |                          |                    |                           |
| Standard functions<br>(customizable by PC) |    | mm/inch, ref I/II, preset (max 99.9999)<br>min/max/delta, tolerances, resolution, measuring direction, multiplier,<br>automatic extinction/manual, keylock |                    |                          |                    |                          |                    |                           |

<sup>1)</sup> Model without spring : Constant measuring force, use only in a vertical position

<sup>2)</sup> The values agree within ± 20% (vertical down, measuring rod outgoing)

## INSTRUMENT DE BASE

- Instrument according to technical specifications
- Lithium battery CR2032 included
- Lifter included
- Manual
- Calibration certificate