

Digital indicators

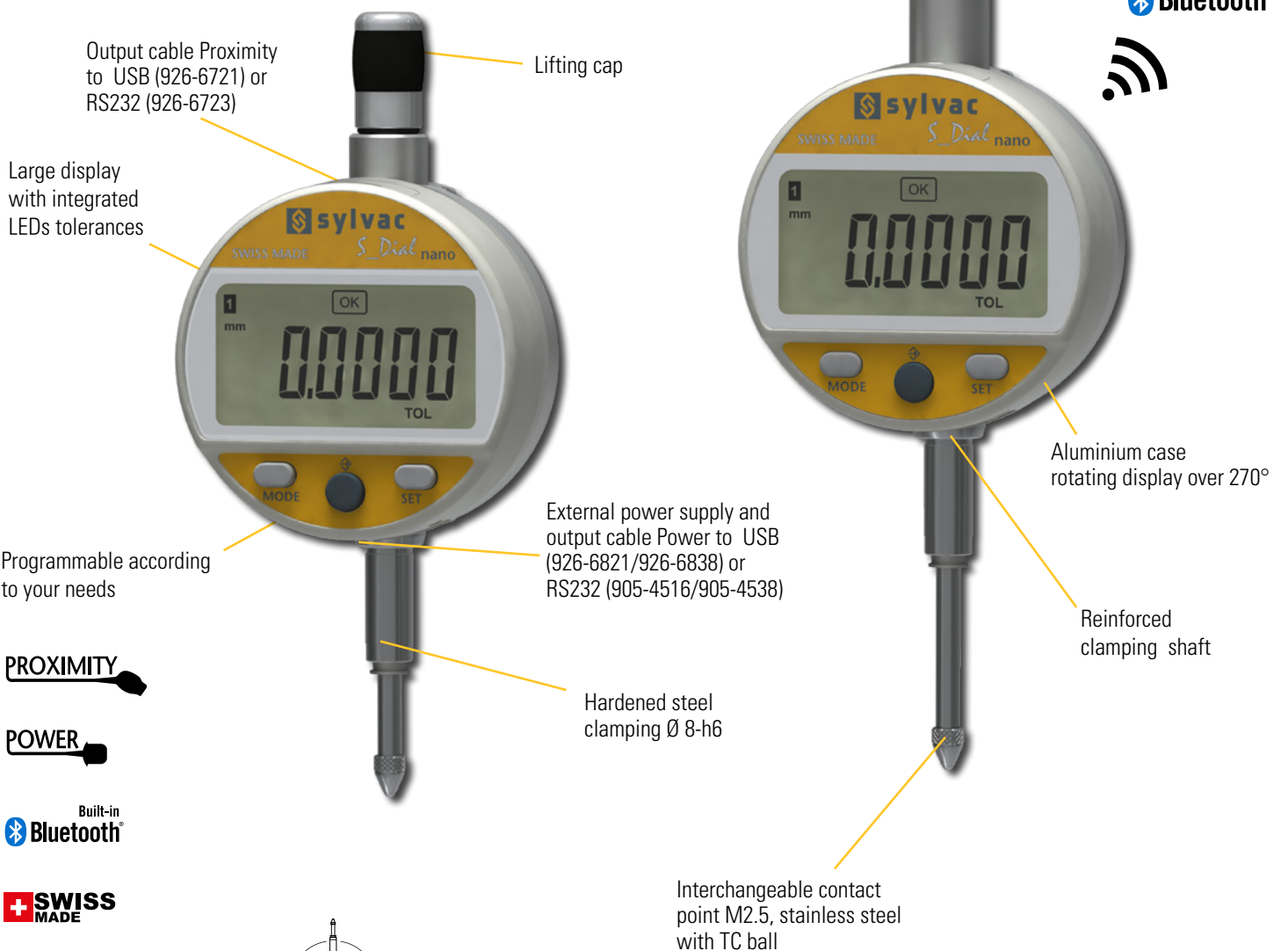
S_Dial WORK

DESCRIPTION

NANO & NANO SMART

- Robust digital comparator with \varnothing 59.5 mm housing rotatable by 270°.
- Integrated Bluetooth® system on Smart model
- Large display resolution 0.0001 mm (0.1 μ m) with tolerance status indication by colour LEDs
- High accuracy and repeatability
- Three buttons, including the central button with selectable favourite function
- Wide range of functions, including MIN/MAX/DELTA
- Proximity» and «Power» data outputs allowing the instrument to be used without batteries when connected by this cable.
- Measuring range selectable: 12.5 and 25 mm
- Special low or high pressure versions available on request
- Protection class IP54

B



Built-in Bluetooth®

SWISS MADE

WATER RESISTANT

* SIS description on page 5

Max error 1.2 μ m
Repeatability 0.3 μ m

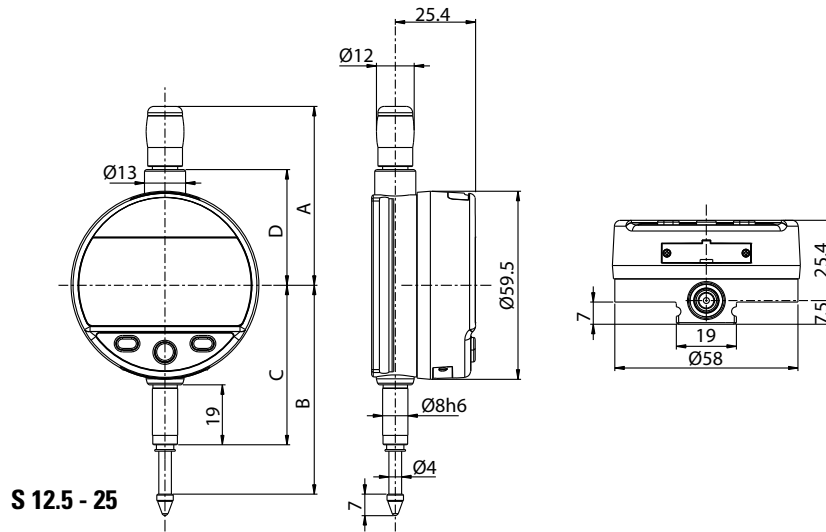


Digital indicators

S_Dial WORK

DIMENSIONAL DRAWINGS

NANO & NANO SMART



S 12.5 - 25

B

TECHNICAL SPECIFICATIONS

		805-5306	805-5506	805-6306	805-6506
Measuring range	mm	12.5	25	12.5	25
Resolution	mm	0.0001	0.0001	0.0001	0.0001
Max. Error fe	µm	1.2	1.6	1.2	1.6
Repeatability	µm	0.3			
IP rating		IP54			
A	mm	56.7	69.4	56.7	69.4
B	mm	66.1	78.5	66.1	78.5
C	mm	50.5	50.5	50.5	50.5
D	mm	36.6	49.4	36.6	49.4
Output data		USB / RS232		USB / RS232 / Bluetooth® wireless technology*	
Programmable by PC		●			
Standard functions (customized by PC)		mm/inch, ref I/II, preset (max 999.999) min/max/delta, tolerances, resolution, direction of measurement, multiplication factor, automatic or manual switch off, key lock			

*** Up to 8 instruments connected per dongle #981-7100**

STANDARD DELIVERY

MEASURING FORCE

- Instrument according to technical specifications
- Lithium battery CR2032 included
- Instruction manual
- Calibration certificate

		S 12.5	S 25
Standard	N	0.65 - 0.90	0.65 - 1.15
Low ²⁾	N	0.4 - 0.55	0.45 - 0.9
High ²⁾	N	1.0 - 1.6	0.9 - 1.8

Tolerance ± 20%, spindle in outgoing measurement position.
²⁾ on request