



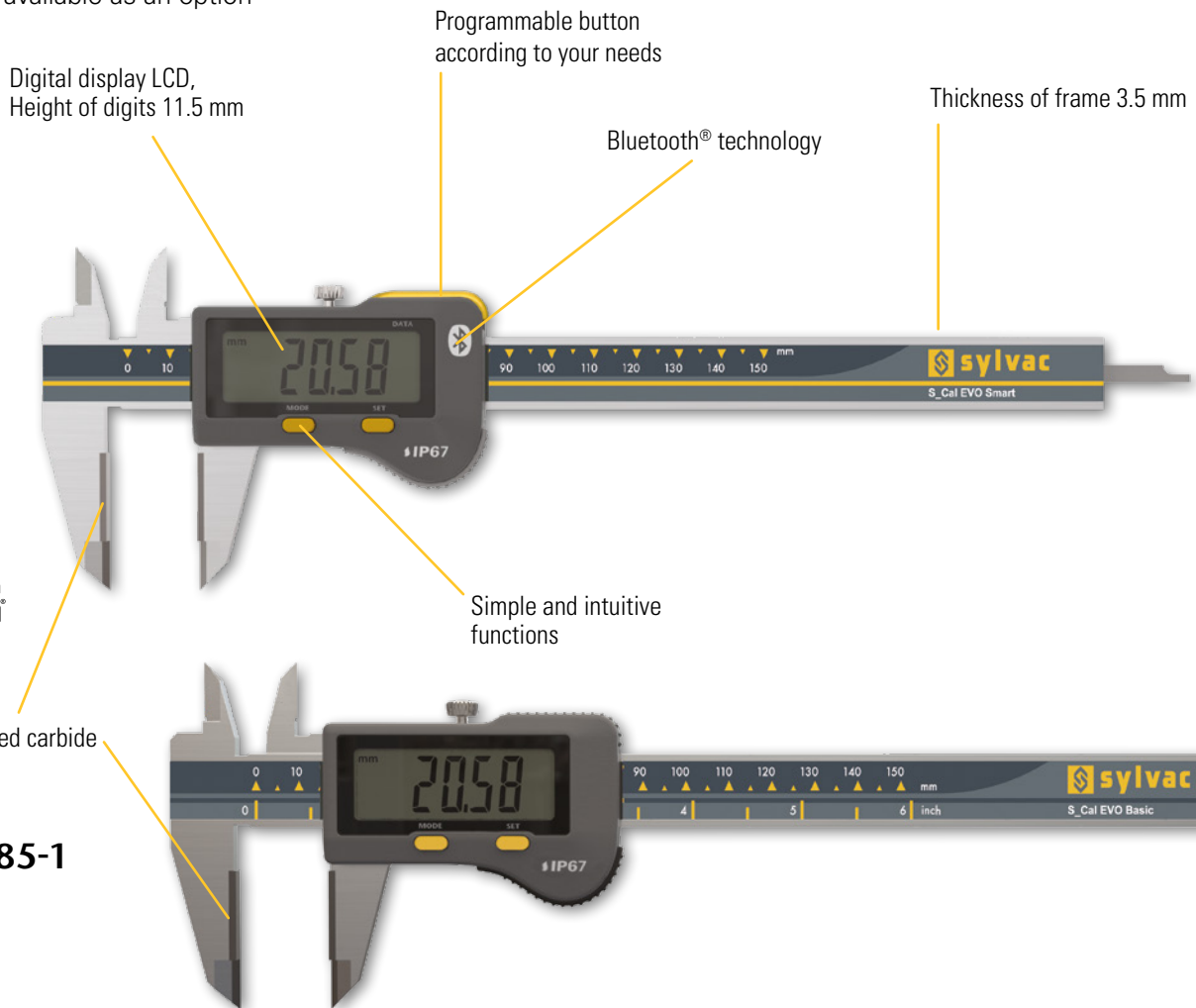
Caliper

S_Cal EVO

DESCRIPTION

CARBIDE

- High-quality ergonomic caliper with integrated Bluetooth® system
- Outer jaws featuring soldered carbide pads
- 3.5 mm thick hardened and ground stainless steel frame
- New extra-large display unit with 11.5 mm high digits
- Convenient push button for sending data that can also be programmed with another function
- Memorising the home position even when the instrument is switched off
- Available in the following executions :
 - Measuring range 150 mm with rectangular depth rod
 - Measuring range 150 mm with cylindrical depth rod
 - Measuring range 200 mm with rectangular depth rod
- Protection class IP67
- Wheel available as an option



ISO 13385-1



IP67

* SIS description on page 5

Outer jaws featuring soldered carbide pads

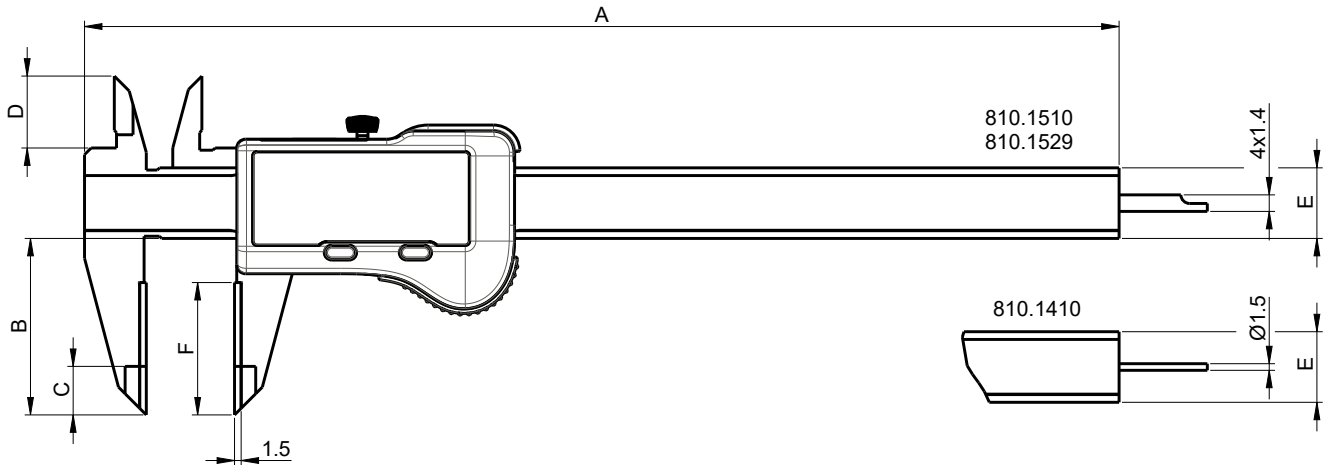


Caliper

S_Cal EVO

DIMENSIONAL DRAWING

CARBIDE



TECHNICAL SPECIFICATIONS

		810-1410	810-1510	810-1529
Measuring range	mm	150	150	200
Max. Error G - external measurements	µm	20 ¹⁾	20 ¹⁾	30 ¹⁾
Max. Error - internal measurements	µm	20-30 ²⁾	20-30 ²⁾	30 ²⁾
A	mm	234.5	234.5	290
B	mm	40	40	50
C	mm	11	11	14
D	mm	16	16	19
E	mm	16 x 3.5	16 x 3.5	16 x 3.5
F	mm	30	30	36
Depth rod	mm	Ø 1.5	4 x 1.4	4 x 1.4
Protection rating according to IEC 60529		IP67	IP67	IP67
Output data		-	Bluetooth® wireless technology*	
Functions		Zero setting, Preset (max 999.99), mm/inch, Hold, Data		
Smart Inductive Sensor		●		

¹⁾ 0-150 mm : 20 µm / ISO13385-1

²⁾ Ø4-25 : 20 µm / ISO13385-1
Ø26-150 : 30 µm / ISO13385-1

* Up to 8 instruments connected per dongle #981-7100