

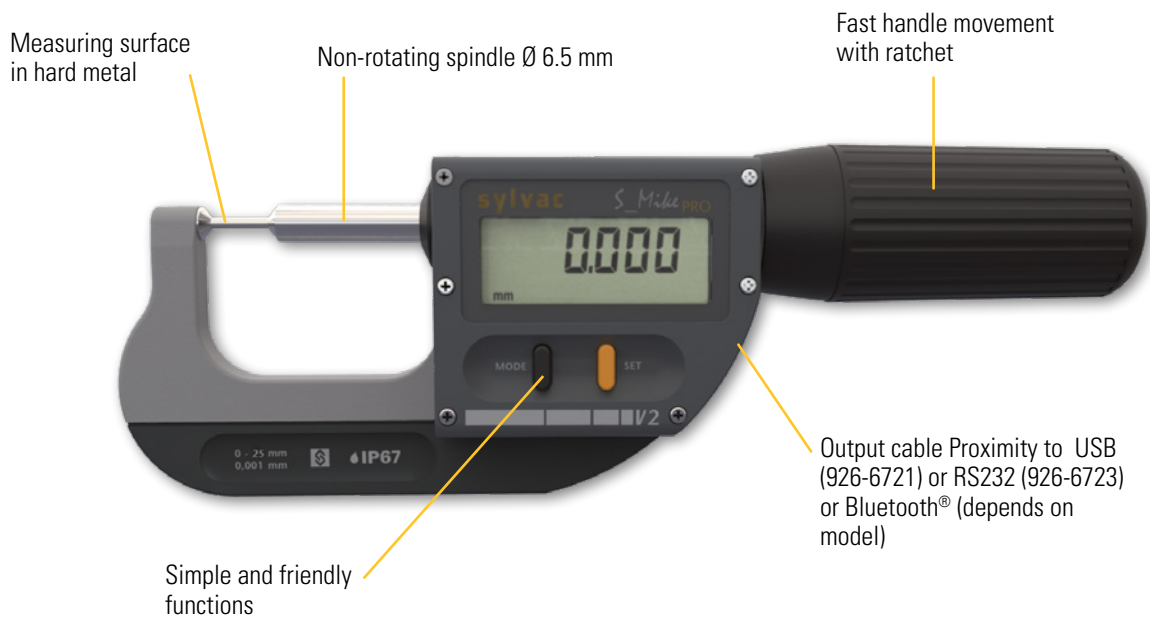
# Professional micrometer

# S\_Mike PRO

## DESCRIPTION

## CYLINDRICAL Ø2

- High-speed micrometer with non-rotating spindle with or without integrated Bluetooth® system
- Linear spindle feed 10 mm per revolution
- Tungsten carbide measuring anvils Ø 2 x 5 mm
- Possibility to obtain this micrometer with different diameter keys (more than 2 mm) on request.
- Display resolution 0.001 mm
- Ratchet system cancels operator influence and guarantees excellent repeatability
- Switchable measuring force 5 or 10 N for the 0-25 mm model
- Proximity data output for non-Bluetooth models
- All models are available in Bluetooth version on request.
- Measuring range up to 95 mm
- Protection class IP67



**DIN 863**



**SIS** Smart Inductive System



**IP67**

**SWISS MADE**

## Cylindrical Ø2mm



\* SIS description on page 5

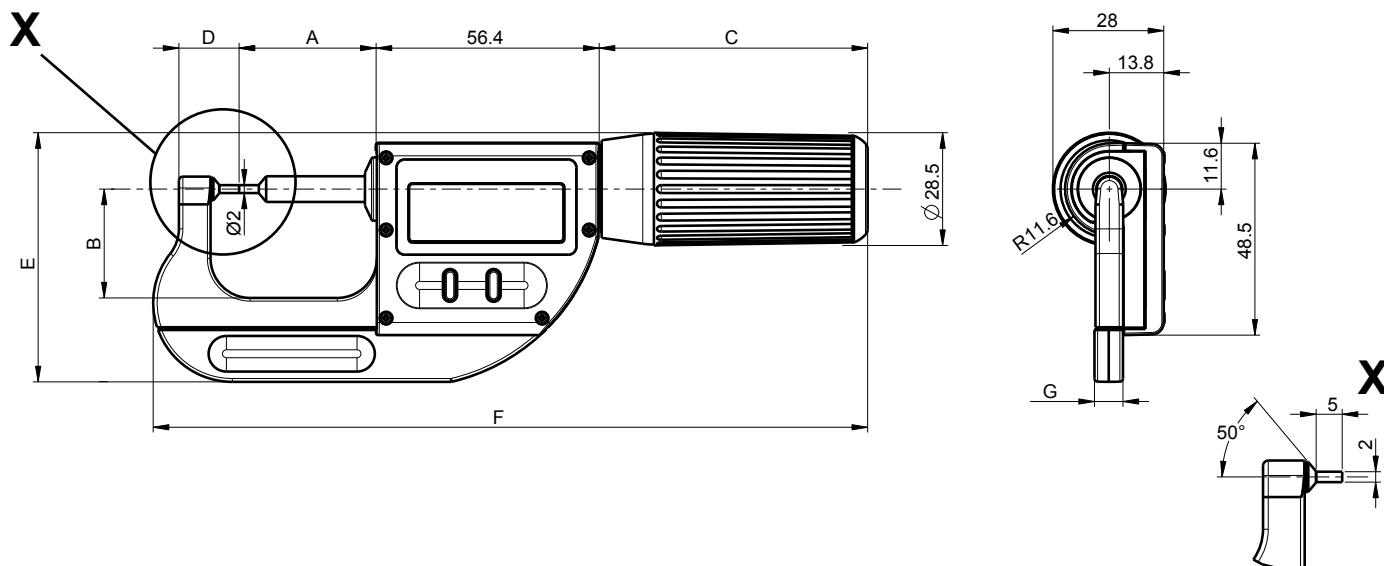


# Professional micrometer

# S\_Mike PRO

## DIMENSIONAL DRAWING

## CYLINDRICAL Ø2



## TECHNICAL SPECIFICATIONS

		803-0301	903-0601	903-1001	803-0307
Measuring range	mm	0-25	25-60	60-95	0-25
Max. Error G <sup>1)</sup>	µm	3	4	5	3
Repeatability <sup>2)</sup>	µm	1	1	1	1
Anvils types			Ø2		Ø2
A	mm	34.6	70.6	106.6	34.6
B	mm	27.5	43	60	27.5
C	mm	68	74	74	68
D	mm	15.2	16.2	17.2	15.2
E	mm	63	86	106	63
F	mm	181	230	269	181
G	mm	7.2	9	9	7.2
Output data		USB / RS 232 <sup>3)</sup>			Bluetooth*
Prot. rating accor. to IEC 60529		IP67 even connected			
Setting by PC			●		
Adjustable measuring force		5N / 10N		10N	5N / 10N
Non-rotating spindle			●		
Fast movement			●		
Preset function			●		
Smart Inductive Sensor			●		

<sup>1)</sup> according to DIN 863

<sup>2)</sup> ± 1 digit

<sup>3)</sup> see cables chapter

**\* Up to 8 instruments connected per dongle #981-7100**