

# Digital indicators

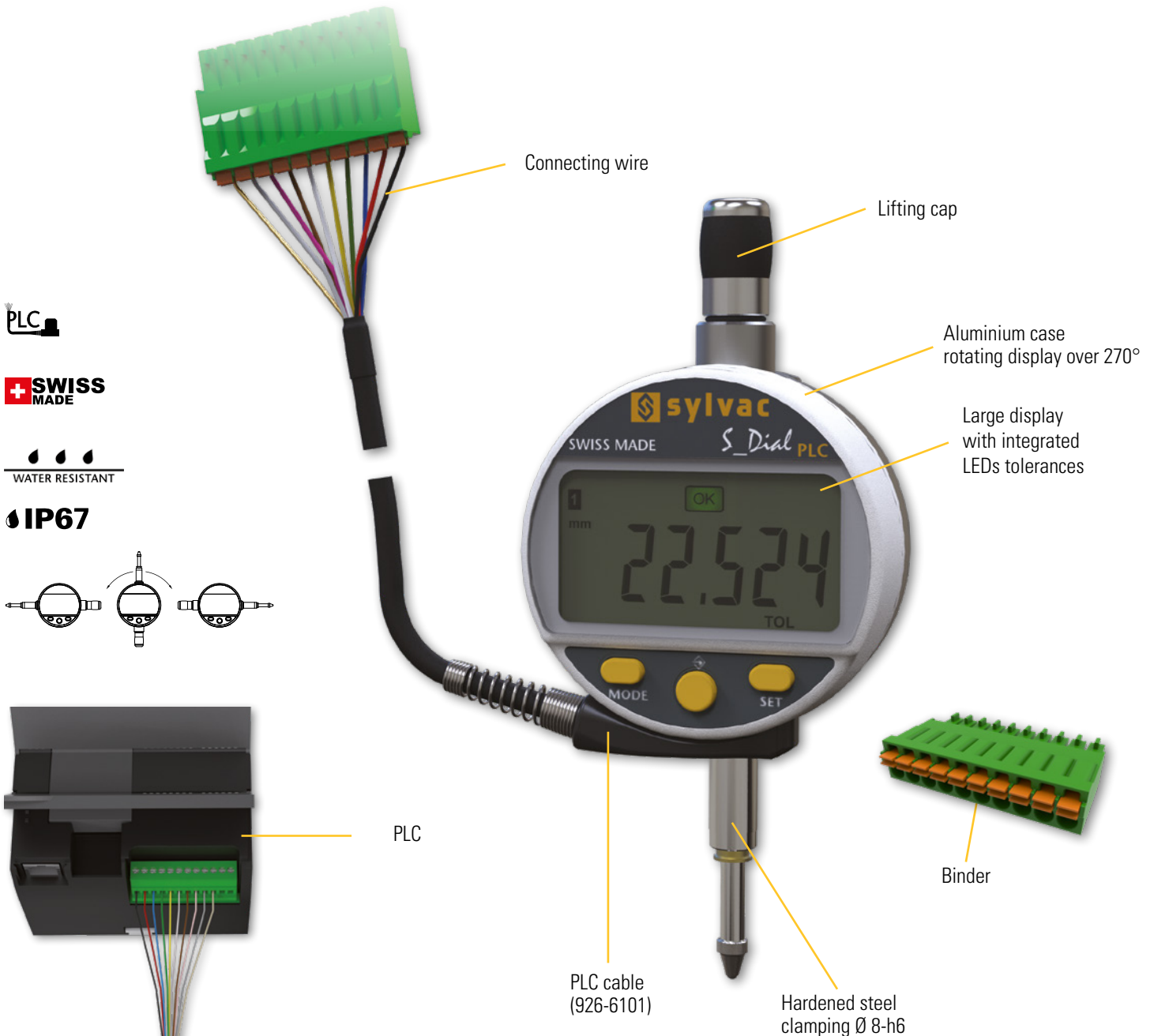
# S\_Dial WORK

## DESCRIPTION

PLC

B

- Robust digital comparator with Ø 59.5 mm housing rotatable by 270°.
- Instrument for automation and robotics
- Large display resolution 0.01 mm or 0.001 mm with tolerance status indication by colour LEDs
- Three buttons, including the central button with selectable favourite function
- Wide range of functions, including MIN/MAX/DELTA
- Data outputs «Open connector» for using the instrument without batteries (powered by the device) and «Proximity».
- Selection of the communication protocol to be chosen between ASCII, MODBUS and ORBIT
- Measuring range selectable: 12.5 and 25 mm
- Special low or high pressure versions available on request
- Protection IP54 for the 0.01 mm resolution version and IP67 for the 0.001 mm resolution version



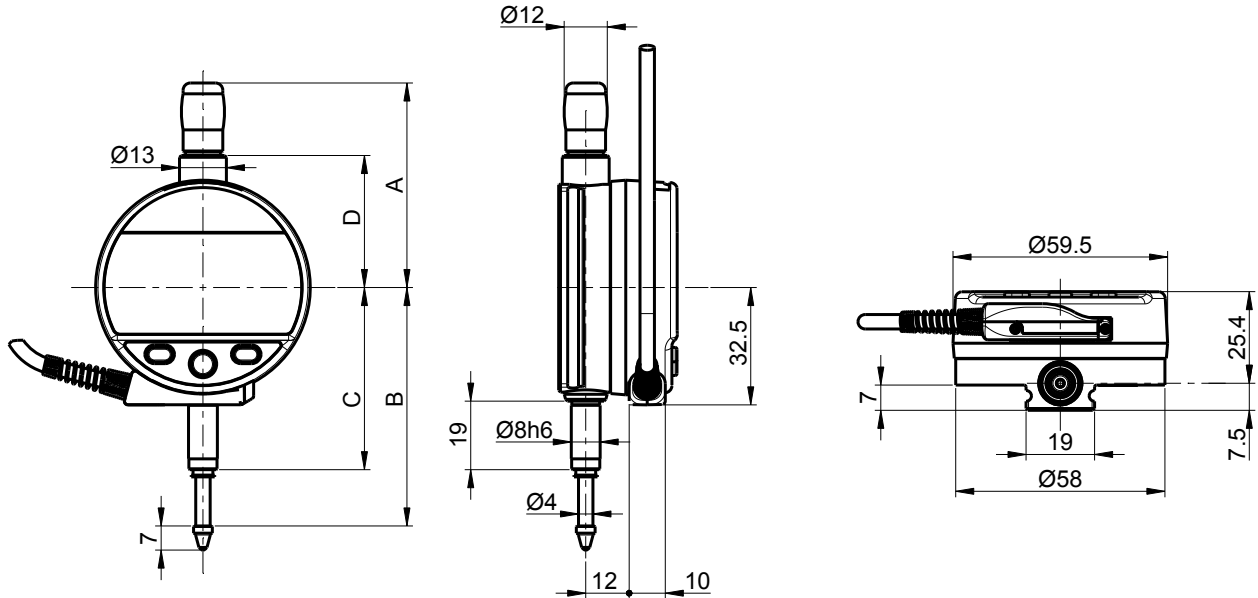


# Digital indicators

# S\_Dial WORK

## DIMENSIONAL DRAWINGS

PLC



B

## TECHNICALS SPECIFICATIONS

		805-7301	805-7201	805-7501	805-7401
Measuring range	mm	12.5	12.5	25	25
A	mm	56.7		69.4	
B	mm	66.1		78.5	
C	mm	50.5		50.5	
D	mm	36.6		49.4	
Resolution	mm	0.001	0.01	0.001	0.01
Max. Error fe	µm	4	10	5	10
Repeatability	µm	2			
Output data		PLC cable / RS232 (Proximity) and RS485 (cable) compatible			
Data bus		RS485 compatible / Charge 1/256 (Protocole MODBUS, ASCII or ORBIT)			
Measuring force	N	0.65 - 0.9		0.65 - 1.15	
IP rating		IP67	IP54	IP67	IP54
Clamping		Ø8h6, interchangeable anvil probe M2.5			
Standard functions (customizable by PC)		mm/inch, ref I/II, preset (max 999.999) min/max/delta, tolerances, resolution, measuring direction, multiplier, keylock			

## INSTRUMENT DE BASE

- Instrument according to technical specifications
- Manual
- PLC cable + binder included
- Calibration certificate