



Digital indicators

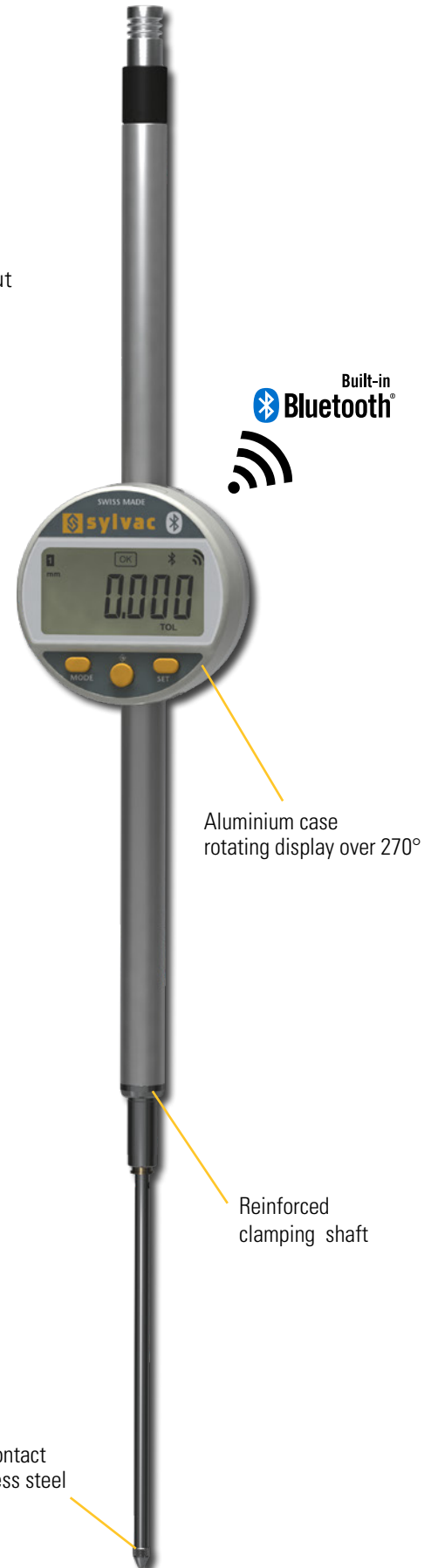
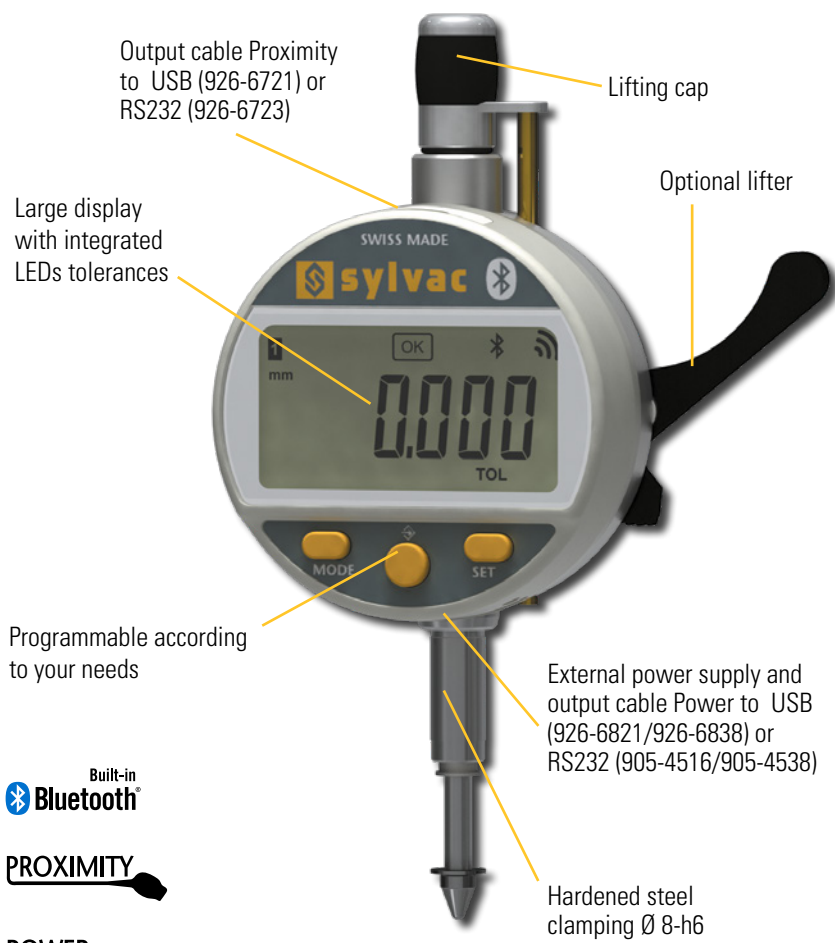
S_Dial WORK

DESCRIPTION

SMART

- Robust digital comparator with Ø 59.5 mm housing rotatable by 270°.
- Large display resolution 0.001 mm
- Integrated Bluetooth® system
- Large display with colour LED tolerance status indication
- Three buttons, including the central button with selectable favourite function
- Wide range of functions, including MIN/MAX/DELTA
- Proximity» and «Power» data outputs allowing the instrument to be used without batteries when connected by this cable.
- Measuring range selectable: 12.5, 25, 50 and 100 mm
- Protection class IP54

B



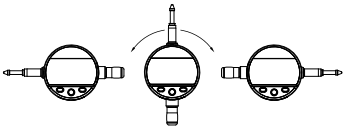
Built-in Bluetooth®

PROXIMITY

POWER

SWISS MADE

WATER RESISTANT



* SIS Smart Productive System description on page 5

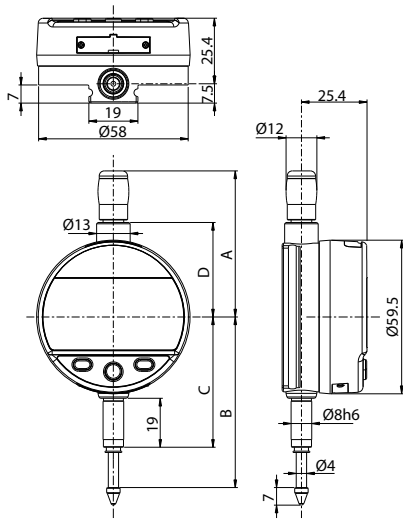


Digital indicators

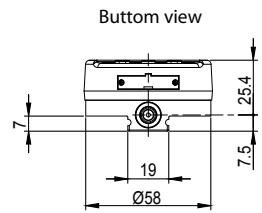
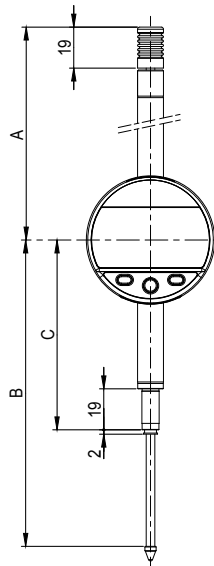
S_Dial WORK

DIMENSIONAL DRAWINGS

SMART



S 12.5 - 25



S 50 - 100

TECHNICAL SPECIFICATIONS

		805-6301	805-6501	805-6621	805-6661
Measuring range	mm	12.5	25	50	100
Resolution	mm	0.001	0.001	0.001	0.001
Max. Error fe	µm	3	4	5	6
Repeatability	µm	2			
IP rating		IP54			
A	mm	56.7	69.4	121	172
B	mm	66.1	78.5	142	244
C	mm	50.5	50.5	88	139
D	mm	36.6	49.4	-	-
Output data		USB / RS232 / Bluetooth® wireless technology*			
Programmable by PC		●			
Standard functions (customized by PC)		mm/inch, ref I/II, preset (max 999.999) min/max/delta, tolerances, resolution, direction of measurement, multiplication factor, automatic or manual switch off, key lock			

¹⁾ ± 1 digit

*** Up to 8 instruments connected per dongle #981-7100**

STANDARD DELIVERY

- Instrument according to technical specifications
- Lithium battery CR2032 included
- Instruction manual
- Calibration certificate for instruments 0.001 mm

MEASURING FORCE

		12.5	25	50	100
Standard	N	0.65 - 0.90	0.65 - 1.15	1.1 - 2.6	1.8 - 3.8
Low ²⁾	N	0.4 - 0.55	0.45 - 0.9	---	---
High ²⁾	N	1.0 - 1.6	0.9 - 1.8	---	---

Tolerance ± 20%, spindle in outgoing measurement position.
²⁾ on request

