



# Digital test indicator

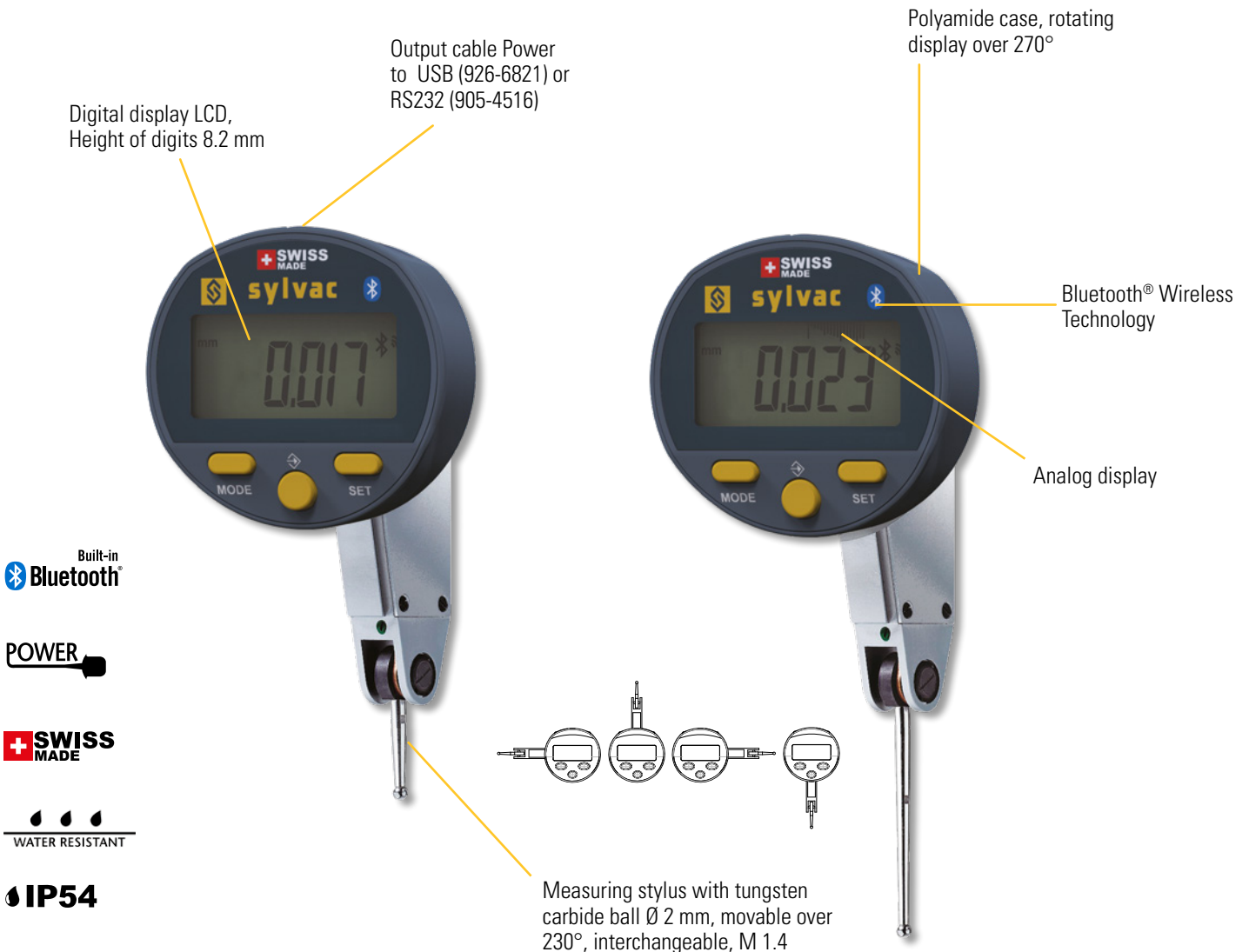
# S\_Dial TEST Smart

## DESCRIPTION

- First digital test indicator with integrated Bluetooth® system
- Instrument for checking roundness and flatness
- Data transfer by sending a request or by foot pedal
- Compact housing Ø 45 mm rotatable by 270°.
- Revolutionary mechanical construction, without gears or gears, which eliminates hysteresis error
- Digital display resolution 0.001 mm with analogue scale
- M1.4 stylus with Ø 2 mm tungsten carbide ball, swivelling and interchangeable
- Available in 3 versions :
  - Model with stylus length 12 mm, measuring range 0.8 mm
  - Model with stylus length 36 mm, measuring range 2.0 mm
  - Combination model for 12 and 36 mm styli (supplied with both styli), measuring range 0.8/2.0 mm
- Protected against liquids IP54



B

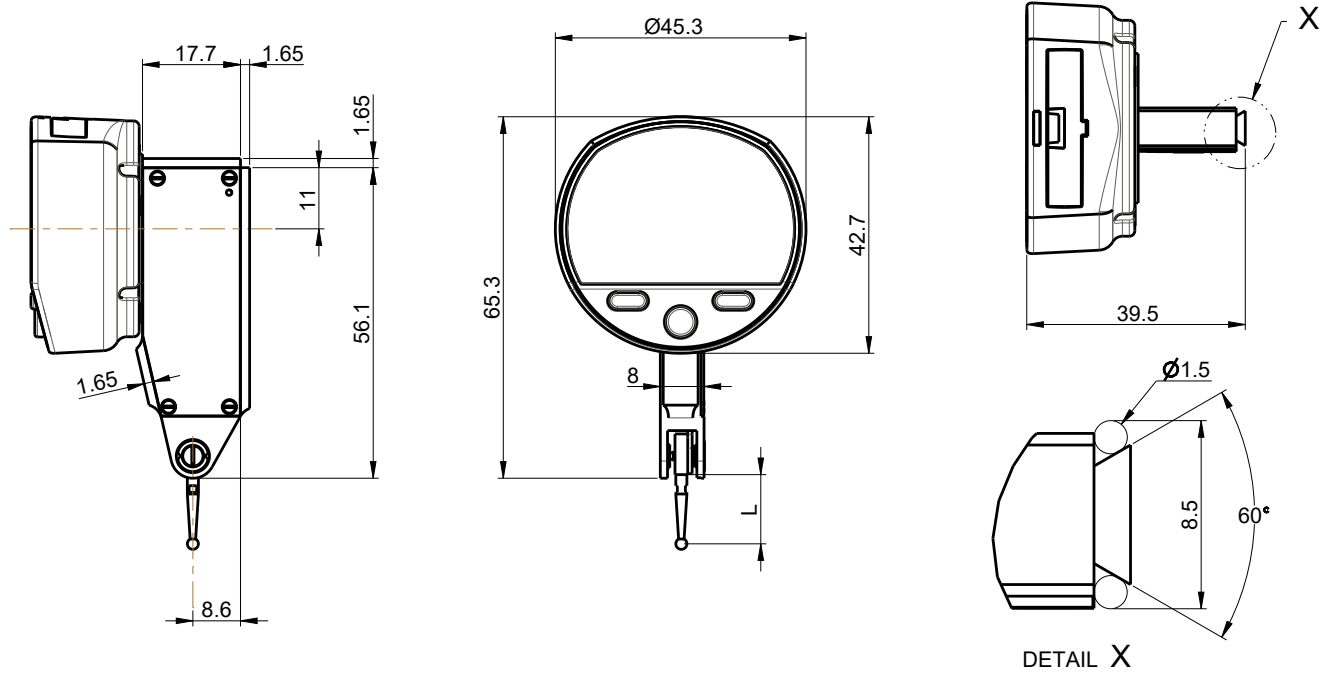




# Digital test indicator

# S\_Dial TEST Smart

## DIMENSIONAL DRAWING



## TECHNICAL SPECIFICATIONS

		805-4321	805-4322	805-4323
Measurement capacity	mm	0.8	2.0	0.8 / 2.0
Stylus length L	mm	12.5	36.5	12.5 / 36.5
Accuracy fe ( $\alpha=0^\circ$ )	$\mu\text{m}$	3	8	3 / 8
Total accuracy fges ( $\alpha=0^\circ$ )	$\mu\text{m}$	4	10	4 / 10
Reversibility fu	$\mu\text{m}$	2	3	2 / 3
Resolution	mm	0.001mm / .00005"		
Repeatability fw	$\mu\text{m}$	1		
Measuring force	N	0.15	0.06	0.15 / 0.06
Friction on probe orientation	N	4	1.6	4 / 1.6
Weight	g	70		
Protection rating according to IEC 60529		IP54		
Output data		Bluetooth® wireless technology* / RS232 / USB <sup>1)</sup>		
Zero setting		●		
min / max / delta display		●		
Analog display		●		
Selection of resolution		●		
Preset (0.01 resolution)		$\pm 99.999 \text{ mm} / \pm 3.99995 \text{ IN} (\pm 999.99 \text{ mm} / \pm 39.9995 \text{ IN})$		

<sup>1)</sup> see cables chapter

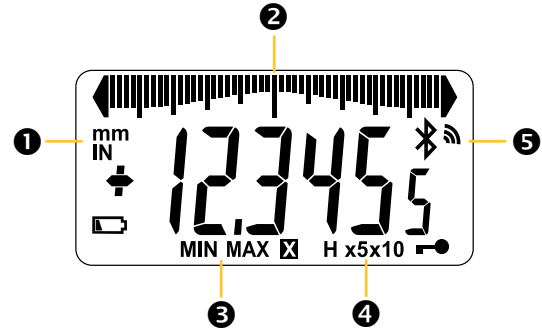
\* Up to 8 instruments connected per dongle #981-7100

# Digital test indicator

# S\_Dial TEST Smart

## DISPLAY

- ❶ Direct mm/inch conversion
- ❷ Analog display
- ❸ Min/max/delta mode
- ❹ Analogic resolution display
- ❺ Bluetooth® technology



## STANDARD DELIVERY

- Instrument according to technical specifications
- Lithium battery CR2032 included
- Quickstart
- Stem Ø 8 mm (905-2247)
- Clamping key for measuring button
- 2 contact points Ø2mm, 12.5 and 36.5mm (model 805-4332 only)

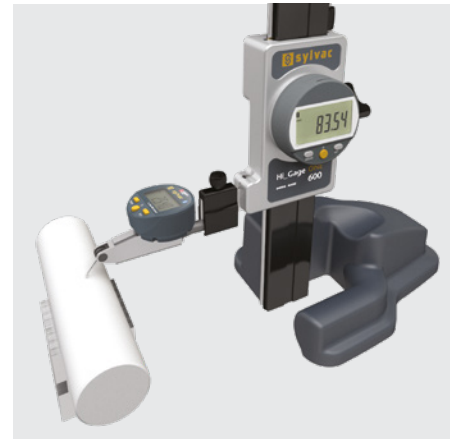
## APPLICATIONS



Run-out measurement



Checking the alignment on milling machine.



Perpendicularity measurement with a S234 mounted on a Hi\_Gage ONE