

# Professional micrometer

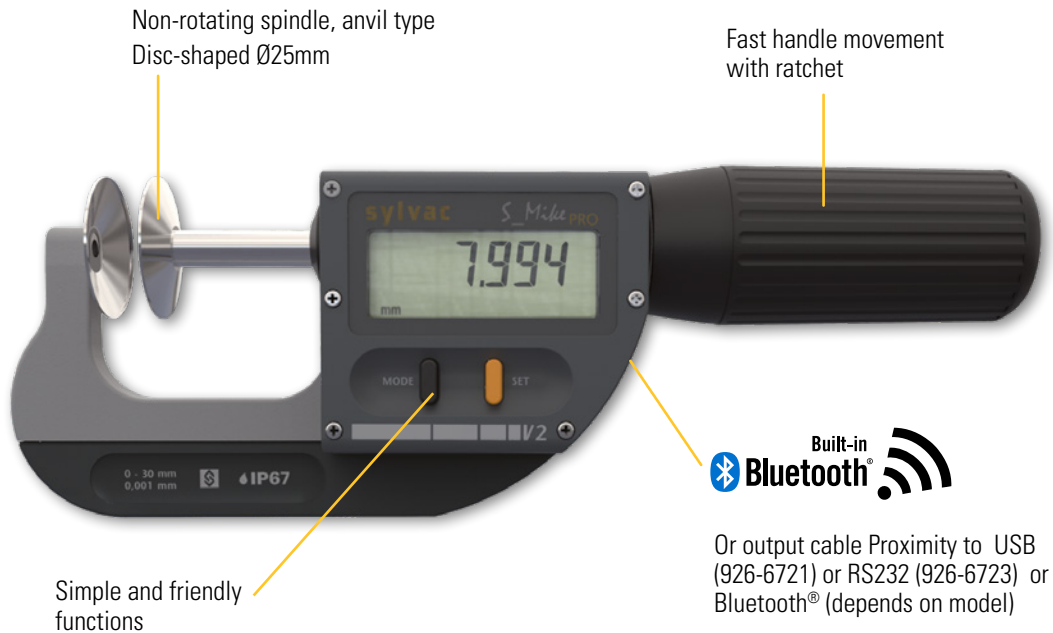
# S\_Mike PRO

## DESCRIPTION

## DISC-SHAPED

- High-speed micrometer with non-rotating spindle
- Linear spindle feed 10 mm per revolution
- Tungsten carbide measuring discs Ø 25 mm
- For technical reasons, this micrometer cannot be delivered with different discs.
- Display resolution 0.001 mm
- Ratchet system cancels operator influence and guarantees excellent repeatability
- Switchable measuring force 5N
- Bluetooth® data output (Proximity data output for non-Bluetooth® models)
- Measuring range limited to 102 mm
- Protection class IP67

D



**DIN 863**

**SIS** Smart Inductive System

**WATER RESISTANT**

**IP67**

**SWISS MADE**

**Disc-shaped**

\* SIS description on page 5

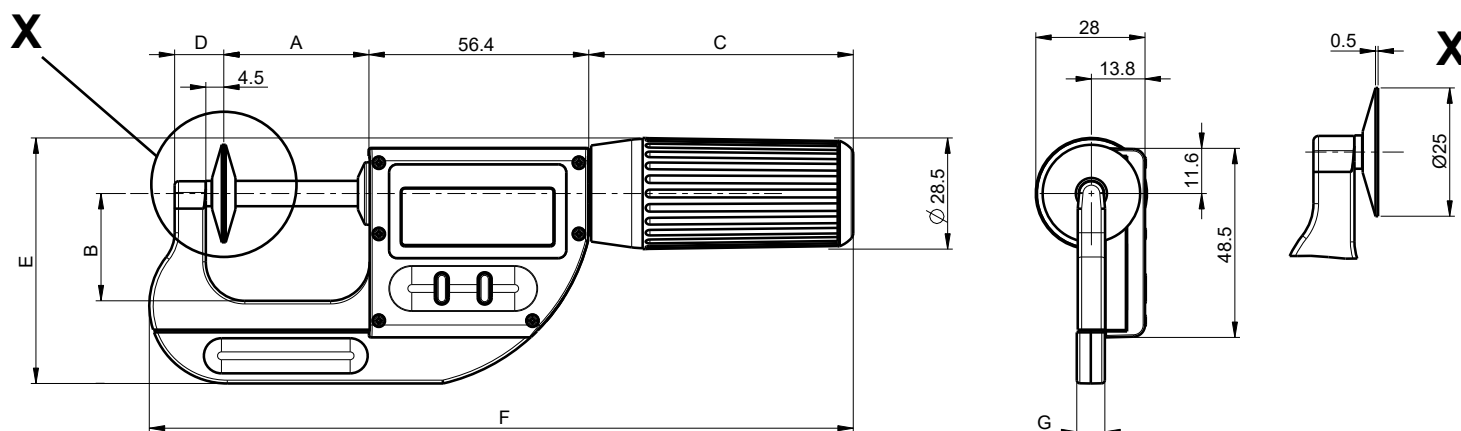


# Professional micrometer

# S\_Mike PRO

## DIMENSIONAL DRAWING

## DISC-SHAPED



## TECHNICAL SPECIFICATIONS

		803-0303	803-0313	903-0613	903-1013
Measuring range	mm	0-30	0-30	30-66	66-102
Max. Error G <sup>1)</sup>	µm	4 (full-touch-contact) / 10 (partial contact)		5 (full-touch-contact) / 11 (partial contact)	6 (full-touch-contact) / 12 (partial contact)
Repeatability <sup>2)</sup>	µm	1			
Flatness	µm	2			
Parallelism	µm	5 (full-touch-contact) / 10 (partial contact)		6 (full-touch-contact) / 12 (partial contact)	6 (full-touch-contact) / 12 (partial contact)
Gear unit	Measurable module ≥ 0.5				
Anvils types	Ø25				
Output data	USB / RS 232 <sup>3)</sup>	Bluetooth® wireless technology*			
Prot. rating accor. to IEC 60529	IP67 even connected				
A	37.3	37.3	73.3	109.3	
B	27.5	27.5	43	60	
C	68	68	74	74	
D	12.5	12.5	13.5	14.5	
E	63	63	86	106	
F	181	181	230	269	
G	7.2	7.2	9	9	
Setting by PC	●				
Measuring force	5N				
Non-rotating spindle	●				
Fast movement	●				
Preset function	●				
Smart Inductive Sensor	●				

<sup>1)</sup> according to DIN 863 / <sup>2)</sup> ± 1 digit / <sup>3)</sup> see cables chapter

\* Up to 8 instruments connected per dongle #981-7100