



More information on the website
radwag.com/en/info,w1,1EM

SAL/STONE/H Granite Antivibration Table



Datasheet

Construction	
Physical parameters	
Packaging dimensions	1000×650×800 mm
Net weight	~215 kg
Gross weight	~225 kg
Length	1000 mm
Width	650 mm
Height	815 mm

* Wi-Fi® is a registered trademark of Wi-Fi® Alliance.



Compatible with

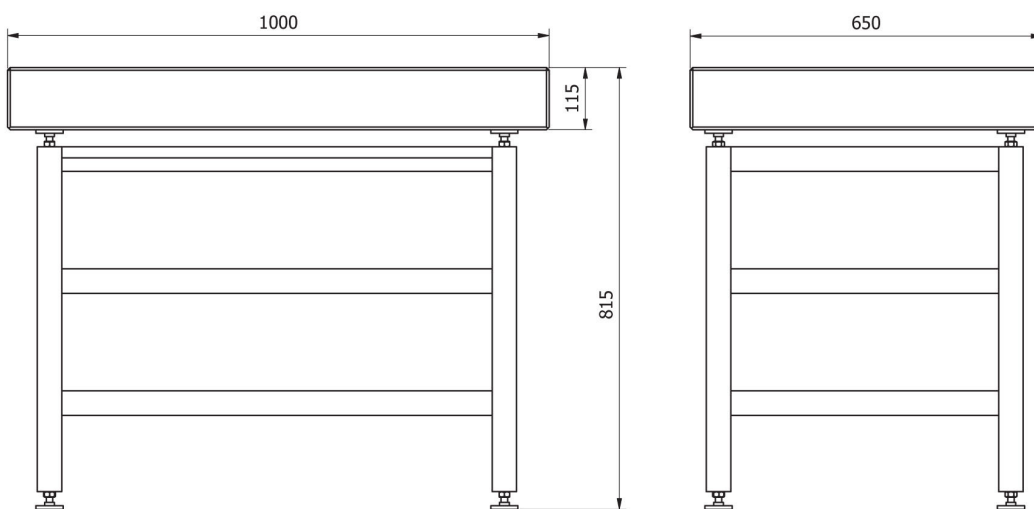
WPT HR Waterproof Platform Scale
 MUYA Modules

Microbalance for Pipette Calibration MYA 4Y.P
 Ultra-Microbalance for Filters UYA 4Y.F.A

MAS1 Modules
XA 4Y PLUS Analytical Balance
AS X2 PLUS Analytical Balance
WLC Precision Balance
MPS Modules
MYA 4Y Microbalance
PM 4Y Precision Balance
Ultra-Microbalance for Filters UYA 4Y.F.A PLUS
PM C32 Precision Balance
MYA 4Y PLUS Microbalance
XA 4Y.M PLUS Microbalance
WPT H Waterproof Platform Scale
C315 Platform scale
MAS Modules
Microbalance for Pipette Calibration XA 4Y.M.A.P PLUS

XA 4Y.M.A PLUS Microbalance
WLY Precision Balance
UYA 4Y Ultra-Microbalance
XA 4Y.A PLUS Analytical Balance
WPY Multifunctional Scale
Microbalance for Filters MYA 4Y.F
UYA 4Y PLUS Ultra-Microbalance
PMV PLUS Moisture Analyzer
AS R2 PLUS Analytical Balance
Analytical Balance for Filters XA 4Y.F
Microbalance for Filters MYA 4Y.F PLUS
UYA.4Y.KO Manual Mass Comparator
WLC C/2 Precision Balance
Microbalance for Pipette Calibration MYA 4Y.P PLUS

Device dimensions



SAL/STONE