



# Digital thickness gage

# Feeler Gage Smart

## DESCRIPTION

- World novelty, the first set of thickness gages with digital display of the total thickness of all feelers removed from the case.
- Integrated Bluetooth® system
- Developed for sensitive applications (aerospace, automotive, defence, etc.) where error is prohibited
- Available with steel feelers with thickness in mm or inches.
- Accuracy of feeler thickness according to DIN 2275: 2014-03 class TC1
- Sets in mm with 19 or 20 feelers, useful length 99 mm
- Set in inch with 14 feelers, usable length 3.9"
- Individual replacement feelers available on request
- Display resolution 0.01 mm and .001».
- IP65 protection



E



Transmission of data into any software or application, without dongle. Can be used with Microsoft (W7, 8, 10), Android or Apple.

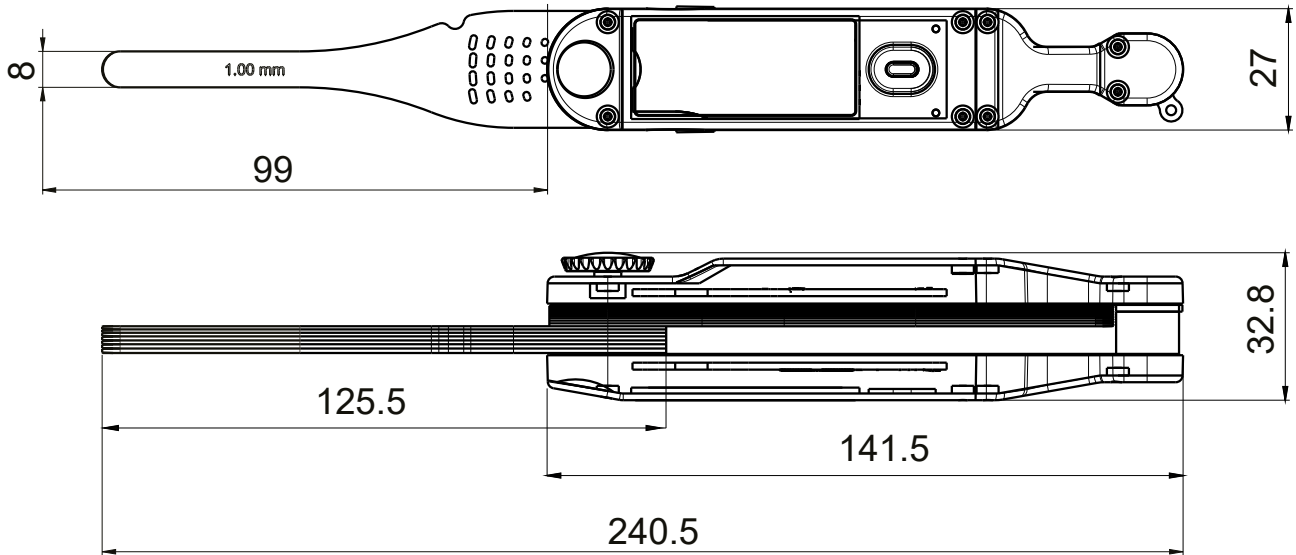




# Digital thickness gage

# Feeler Gage Smart

## DIMENSIONAL DRAWING



### Model 921-0100

The thickness may differ slightly for the other models according to the number of gages.

## TECHNICAL SPECIFICATIONS

		921-0100	921-0110	921-0114
Type of version		mm	mm	inch
Measurement capacity	mm/in	0.05...1.00 mm	0.04...1.00 mm	0.0020...0.0310 in
Feelers thickness	mm	0.05, 0.10, 0.15, 0.20, 0.25, 0.30, 0.35, 0.40, 0.45, 0.50, 0.55, 0.60, 0.65, 0.70, 0.75, 0.80, 0.85, 0.90, 0.95, 1.00	0.04, 0.05, 0.06, 0.07, 0.08, 0.09, 0.10, 0.15, 0.20, 0.25, 0.30, 0.35, 0.40, 0.50, 0.60, 0.70, 0.80, 0.90, 1.00	0.0020, 0.0030, 0.0040, 0.0050, 0.0060, 0.0070, 0.0080, 0.0090, 0.0100, 0.0120, 0.0150, 0.0200, 0.0250, 0.0310
Usable length	mm	99		
Thickness Tolerance Class according to DIN 2275		TC1		
Protection rating according to IEC 529		IP65		
Output data		Bluetooth® wireless technology*		
Number of feelers		20	19	14
Weight	g	280	224	212
Functions		Unit (mm/inch)		

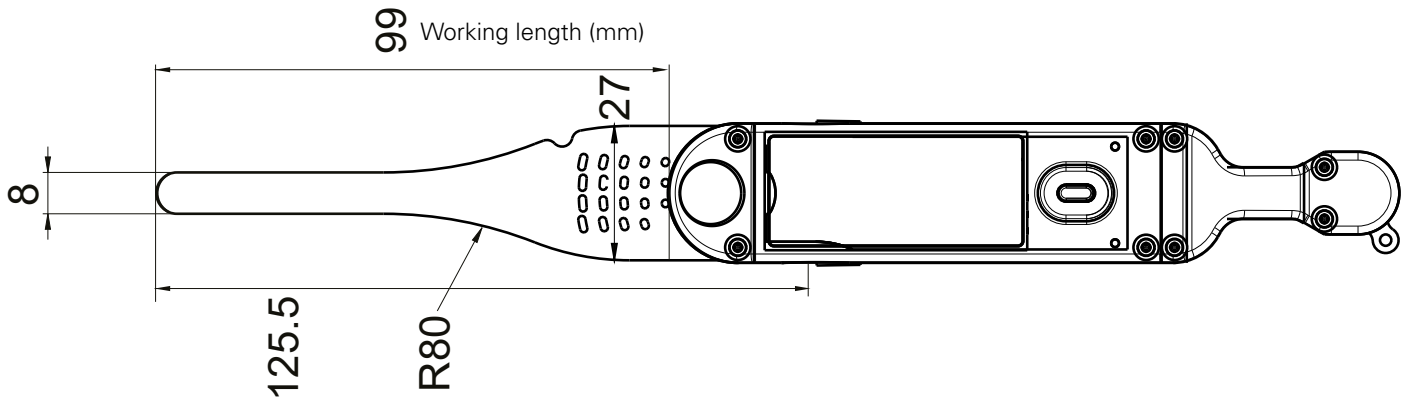
E



# Digital thickness gage

# Feeler Gage Smart

## REPLACEMENT FEELERS



**Model 921-0100**  
Metric Feeler Gage  
0.05...1.00mm  
20 blades

**Model 921-0110**  
Metric Feeler Gage  
0.04...1.00mm  
19 blades

**Model 921-0114**  
Imperial Feeler Gage  
0.0020...0.0310in  
14 blades

E

Reference	Thickness (mm)	Tolerance (mm)
921-1001	0.05	±0.004
921-1006	0.10	±0.005
921-1007	0.15	±0.006
921-1008	0.20	±0.006
921-1009	0.25	±0.007
921-1010	0.30	±0.007
921-1011	0.35	±0.008
921-1012	0.40	±0.009
921-1013	0.45	±0.009
921-1014	0.50	±0.010
921-1015	0.55	±0.011
921-1016	0.60	±0.011
921-1017	0.65	±0.012
921-1018	0.70	±0.012
921-1019	0.75	±0.013
921-1020	0.80	±0.014
921-1021	0.85	±0.014
921-1022	0.90	±0.015
921-1023	0.95	±0.016
921-1024	1.00	±0.017

Reference	Thickness (mm)	Tolerance (mm)
921-1000	0.04	±0.004
921-1001	0.05	±0.004
921-1002	0.06	±0.004
921-1003	0.07	±0.004
921-1004	0.08	±0.004
921-1005	0.09	±0.004
921-1006	0.10	±0.005
921-1007	0.15	±0.006
921-1008	0.20	±0.006
921-1009	0.25	±0.007
921-1010	0.30	±0.007
921-1011	0.35	±0.008
921-1012	0.40	±0.009
921-1014	0.50	±0.010
921-1016	0.60	±0.011
921-1018	0.70	±0.012
921-1020	0.80	±0.014
921-1022	0.90	±0.015
921-1024	1.00	±0.017

Reference	Thickness (in)	Tolerance (mm)
921-1025	0.0020	±0.004
921-1026	0.0030	±0.004
921-1027	0.0040	±0.004
921-1028	0.0050	±0.005
921-1029	0.0060	±0.005
921-1030	0.0070	±0.006
921-1031	0.0080	±0.006
921-1032	0.0090	±0.006
921-1033	0.0100	±0.006
921-1034	0.0120	±0.007
921-1035	0.0150	±0.008
921-1036	0.0200	±0.009
921-1037	0.0250	±0.011
921-1038	0.0301	±0.012

Material of the feelers : spring tempered stainless steel 1.4310 / alloy 301



# Digital thickness gage

# Feeler Gage Smart

## STANDARD DELIVERY

- Instrument according to technical specifications
- Lithium battery CR2032 included
- Instruction manual
- Lanyard

## APPLICATIONS



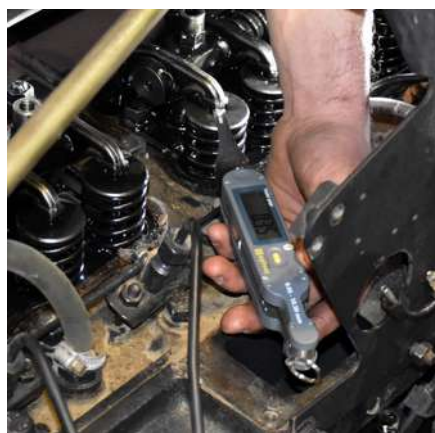
Gap measurement



Gap measurement



Gap setting



Valve adjustment



Data transmission via HID

E