

Horizon Setting HS4

Setting of Measuring Equipment with Variable Dimensions



1.

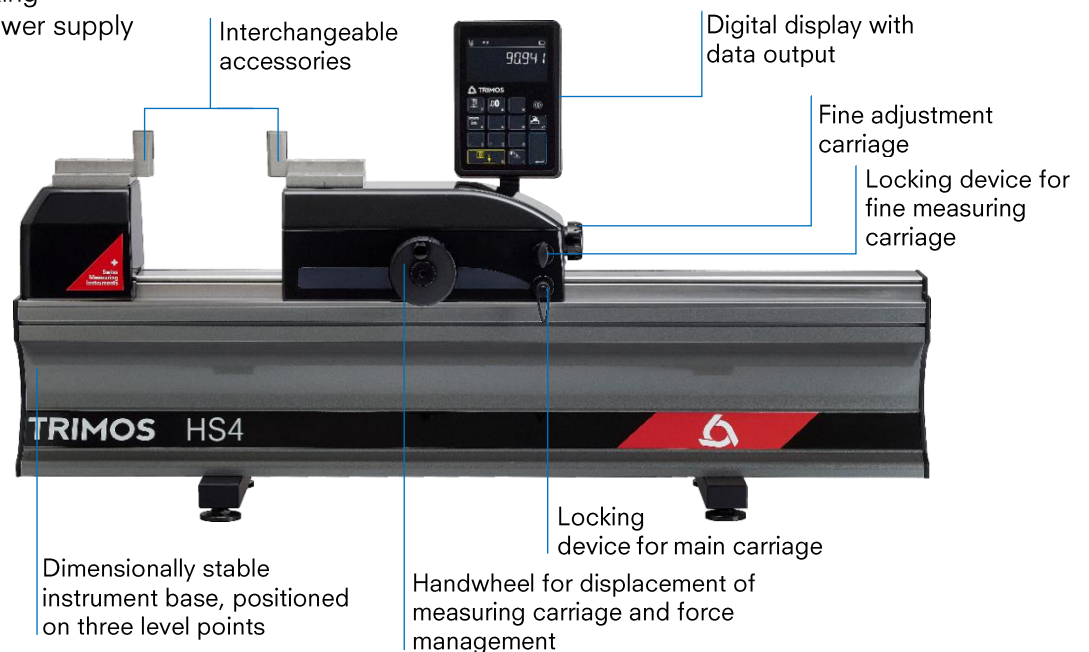
PRESENTATION

Horizon Setting is the ideal instrument for the control and calibration of measuring means with fixed and variable dimensions. Its high precision and finishing level position it as a top of the range model for workshop or laboratory use. It is the perfect answer to current needs in the manufacturing field.

This new model is based on the already well known Trimos Horizon Premium, but a new electronics and innovative display are incorporated. A modern and ergonomic design, as well as a great ease of use guarantee optimal and high productivity measuring results.

Trimos proposes a complete range of instruments from 500 mm to 3000 mm. All measuring ranges are direct, which means that the whole measuring range is available without adjustment or intermediary re-calibration. A large selection of easily interchangeable accessories completes the possible applications and guarantees a correct positioning of the instruments to be calibrated.

- Delivered with two parallel 25 mm TEL5 gauge blocks
- Robust design, ideal for use in workshop
- Very simple use
- Fast and precise checking
- Works on battery or power supply



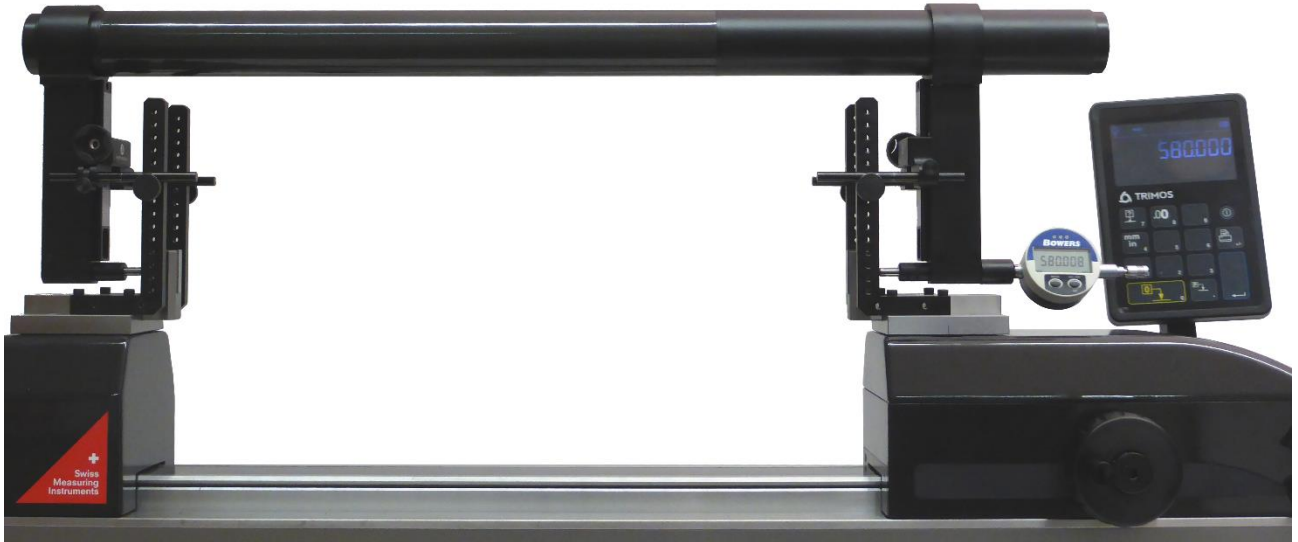
2.

SPECIALLY DESIGNED FOR SETTING

- 2 points bore gauges
- 2 points internal and external comparative measuring equipment
- Dial indicators
- Calipers

3.

FEATURES



Setting of a large gauge



Two locking devices to hold the carriage



Setting force management with indicator

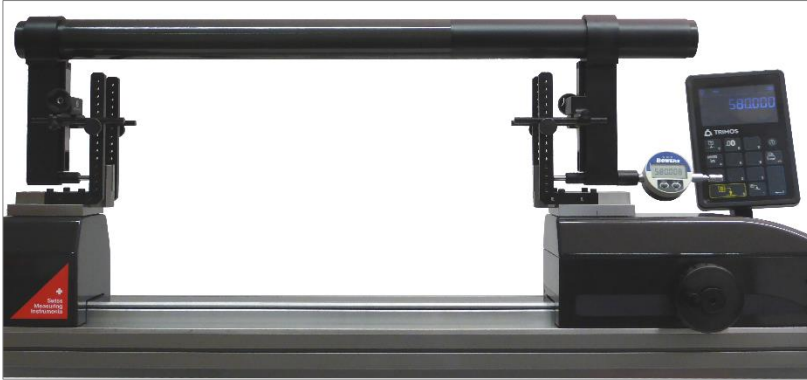
4.

TECHNICAL SPECIFICATIONS

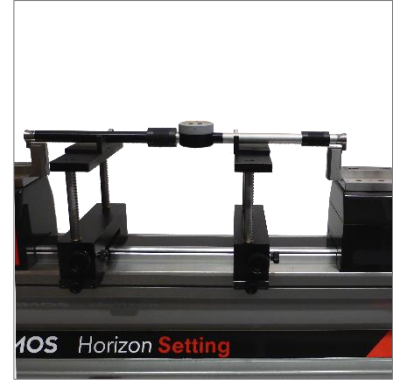
Horizon Setting HS4		HS4-500	HS4-1000	HS4-1500	HS4-2000	HS4-3000
Measuring range	mm (in)	550 (20)	1050 (40)	1550 (60)	2050 (80)	3050 (120)
Max. permission errors, E_{MPE}	μm	0.7+L/1000				
Repeatability, R_{MPE} (2s)	μm	0.5				
Maximal Resolution	mm (in)	0.0001 (0.00001)				
Measuring force (0 setting)	N	15				
Interfaces		USB / RS232				
Weight	kg	94	123	152	181	239
Max displacement speed	mm/s	1500				
Operational Temperature	$^{\circ}\text{C}$	+10 ÷ +40				

5.

APPLICATIONS



Setting of a large gauge



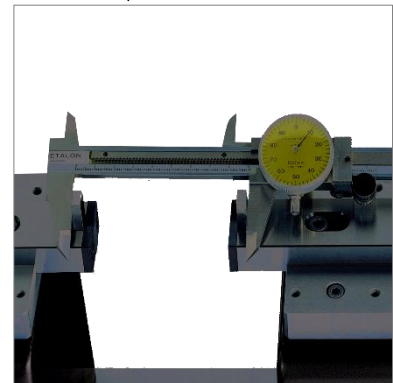
Setting of two points internal and external comparative measuring equipment (TEL5, TELMA7, TELMN7.2)



Setting of 2-point bore gauges with holder (TA-SU-313, TA-SU-318, TEL5)



Setting of 2-point bore gauges by hand (TA-SU-301, TEL5)



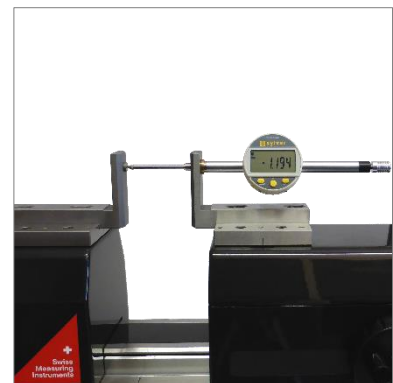
Checking of calipers (TEL 5.10)



Checking of external micrometer held on a support (TA-SU-313, LABC20.1/SP02, TEL5)



Manually checking of external micrometer (TEL5) (TEL11)



Checking of dial indicator (TEL5CN)

Horizon Setting HS5

Setting of Measuring Equipment Manual and Motorized



1.

PRESENTATION

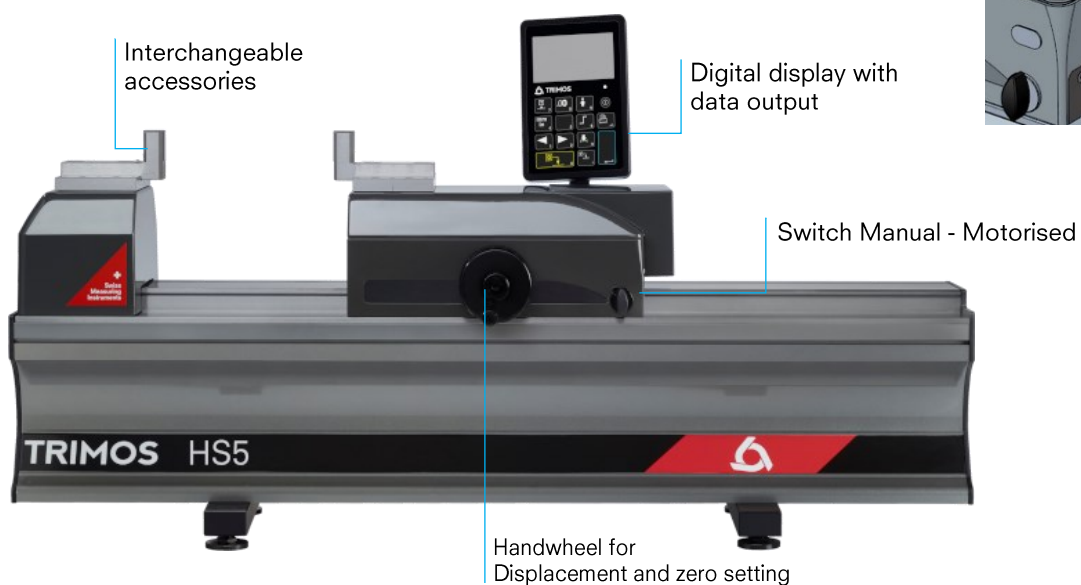
This new HS5 is the first of the setting line that can work in manual mode for fast movement or in motorized mode for very precise positioning. The mechanical fine adjustment has been replaced by a motor allowing a very precise servo control.

The HS5 is the ideal instrument for the control and calibration of measuring means with fixed dimensions. Its high precision and finishing level position it as a top of the range model for workshop or laboratory use. It is the perfect answer to current needs in the manufacturing field.

This new model is based on the already well known Trimos Horizon Premium, but a new electronics and innovative display are incorporated. A modern and ergonomic design, as well as a great ease of use guarantee optimal and high productivity measuring results.

Trimos proposes a complete range of instruments from 500 mm to 3000 mm. All measuring ranges are direct, which means that the whole measuring range is available without adjustment or intermediary re-calibration. A large selection of easily interchangeable accessories completes the possible applications and guarantees a correct positioning of the instruments to be calibrated.

- Delivered with two parallel 25 mm TEL5 gauge blocks insert
- Robust design, ideal for use in workshop
- Very simple use
- Fast and precise checking
- Manual or motorized displacement



2.

SPECIALLY DESIGNED FOR SETTING

- 2 points bore gauges
- 2 points internal and external comparative measuring equipment
- Dial indicators
- Calipers

3.

FEATURES



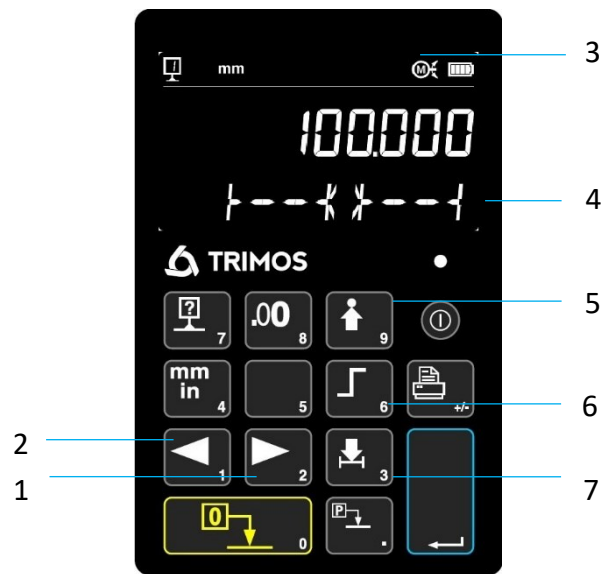
Switch ON/OFF the motor



Setting force management with indicator

Motorised Functions

1. Move to right
2. Move to left
3. Manual or Motorised
4. Motorised range
5. Move to (target)
6. Move by Step
7. Move to Center position



4.

TECHNICAL SPECIFICATIONS

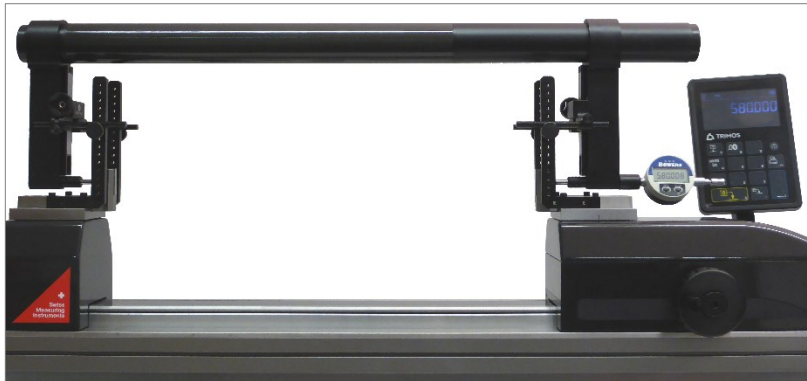
Horizon Setting HS5		HS5-500	HS5-1000	HS5-1500	HS5-2000	HS5-3000
Measuring range ¹⁾	mm	550	1050	1550	2050	3050
Max. permissible error ²⁾	µm	0.7+L/1000				
Measuring range motorised	mm	8mm (0, -1mm)				
Repeatability (2s) ²⁾	µm	0.5				
Max. resolution	mm	0.0001				
Measuring Force (0 setting)	N	15				
Interfaces		USB / RS232				
Protection IP of measuring system (CEI 60529)		IP67				
Weight	kg	94	123	152	181	239
Manual Displacement speed max.	mm/s	1.5				
Operational temperature	°C	+10 ÷ +40				
Operational humidity limit	%	20-80				

1) May vary according to accessory used.

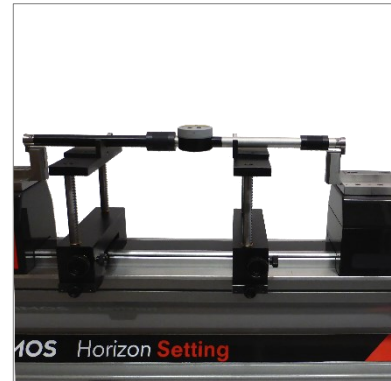
2) The values have been measured at a temperature of 20 ± 0.2 °C and relative humidity of 50 ± 5%.

5.

APPLICATIONS



Setting of a large gauge



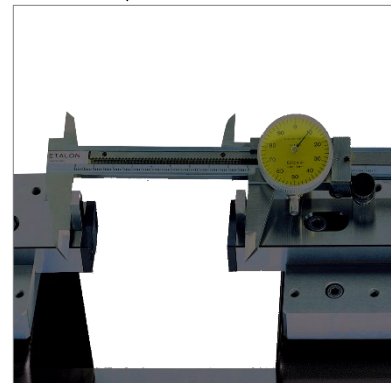
Setting of two points internal and external comparative measuring equipment (TEL5, TELMA7, TELMN7.2)



Setting of 2-point bore gauges with holder (TA-SU-313, TA-SU-318, TEL5)



Setting of 2-point bore gauges by hand (TA-SU-301, TEL5)



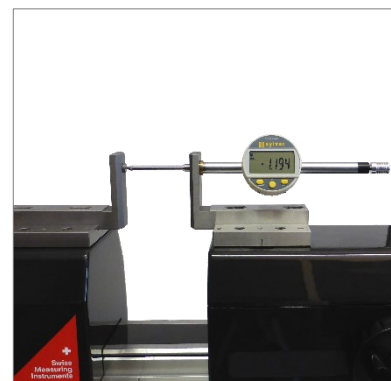
Checking of calipers (TEL 5.10)



Checking of external micrometer held on a support (TA-SU-313, LABC20.1/SP02, TEL5)



Manually checking of external micrometer (TEL5, TEL11)



Checking of dial indicator (TEL5CN)



Horizon Setting HS6

Setting of Measuring Equipment with Variable Dimensions



1.

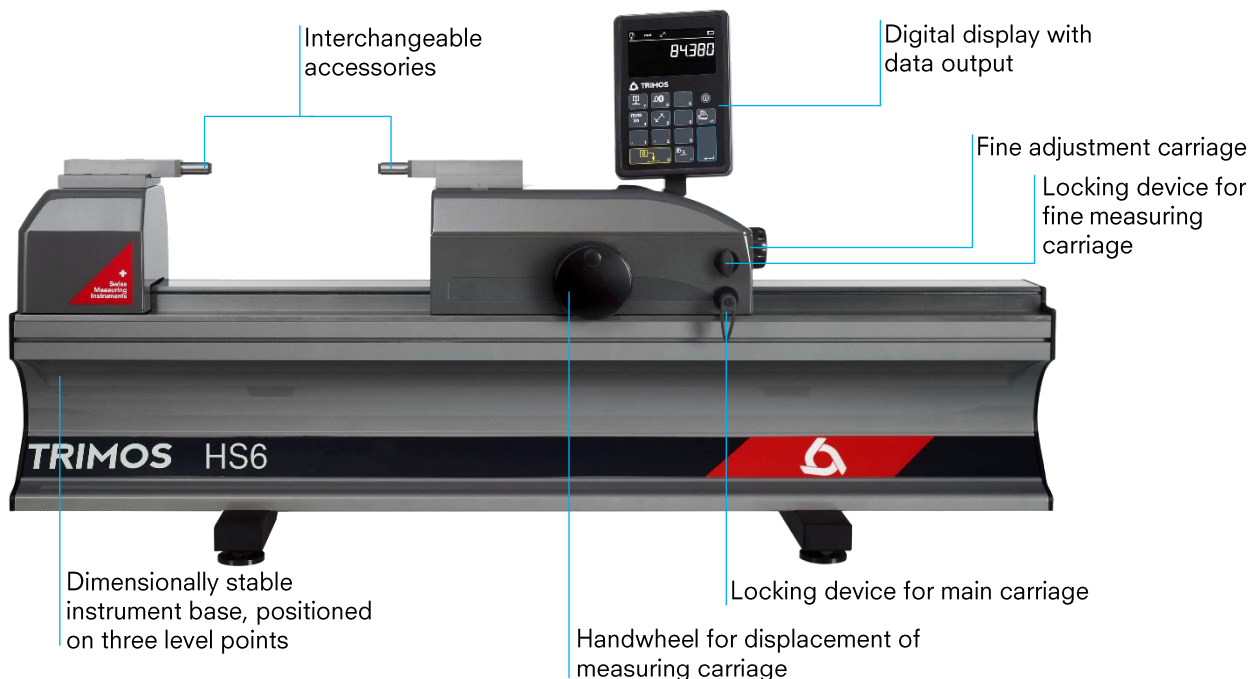
PRESENTATION

Horizon Setting Plus is the ideal instrument for the control and calibration of measuring means with fixed and variable dimensions. Its high precision and finishing level position it as a top of the range model for workshop or laboratory use. It is the perfect answer to current needs in the manufacturing field.

This new model is based on the already well known Trimos Horizon Premium, but a new electronics and innovative display are incorporated. A modern and ergonomic design, as well as a great ease of use guarantee optimal and high productivity measuring results.

Trimos proposes a complete range of instruments from 500 mm to 3000 mm. All measuring ranges are direct, which means that the whole measuring range is available without adjustment or intermediary re-calibration. A large selection of easily interchangeable accessories completes the possible applications and guarantees a correct positioning of the instruments to be calibrated.

- Delivered with two standard anvil HPA-1
- Robust design, ideal for use in workshop
- Very simple use
- Fast and precise checking
- Works on battery or power supply
- 3N measuring force



Measuring Force Indicator



Internal measurement (3N)



External measurement (3N)

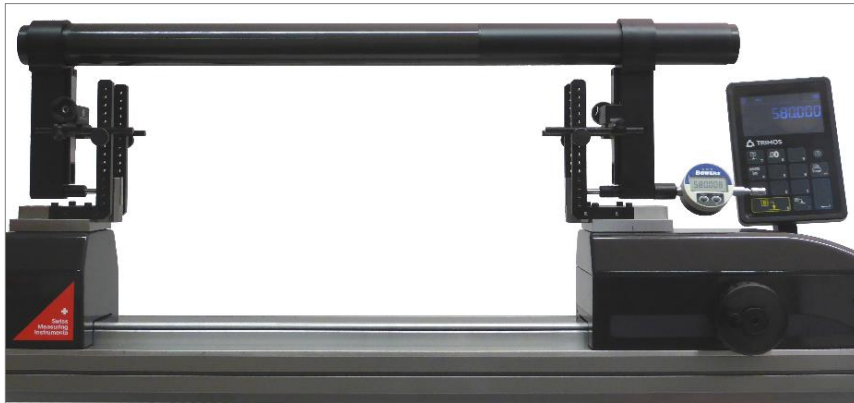
2.

SPECIALLY DESIGNED FOR SETTING AND CHECKING

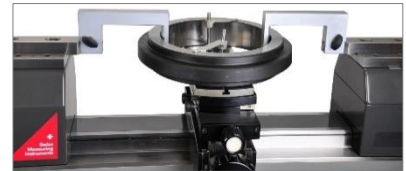
- 2 points bore gauges
- 2 points internal and external comparative measuring equipment
- Dial indicators
- Calipers
- Setting of 2 points internal micrometers
- Checking of ring gauges
- Checking of plug gauges
- Checking of thread plug gauges
- Checking of snap gauges
- Checking of external micrometers

3.

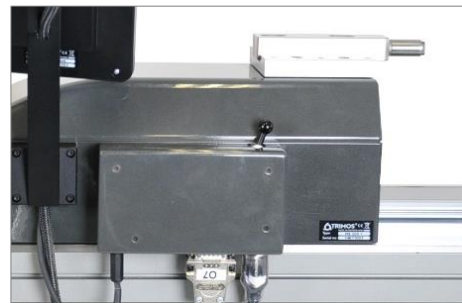
FEATURES



Setting of a large gauge



Checking of ring gauges from 12mm



Two locking devices to hold the carriage

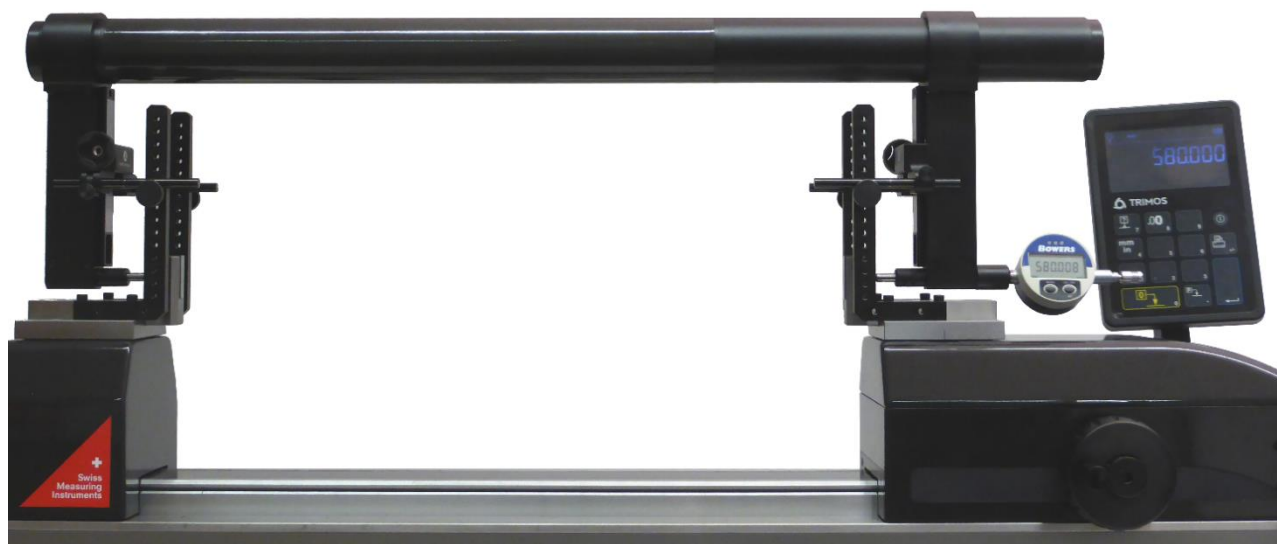
4.

TECHNICAL SPECIFICATIONS

Horizon Settings Plus HS6	HS6-500	HS6-1000	HS6-1500	HS6-2000	HS6-3000
Part number	700 216 10 51	700 216 20 51	700 216 30 51	700 216 40 51	700 216 60 51
Measuring range ¹⁾ mm (in)	550 (21)	1050 (41)	1550 (61)	2050 (80)	3050 (120)
Max. permissible error ²⁾ μm	0.7+L(mm)/1000				
Repeatability (2s) ²⁾ μm (in)	0.2 (.000008)				
Max. resolution mm (in)	0.0001 (.00001)				
Displacement speed max. mm/s	1500				
Measuring force N	3N				
Operational temperature °C	+10 - +40				
Operational humidity limit %	20 - 80				
Weight kg	94	123	152	181	239

5.

APPLICATIONS



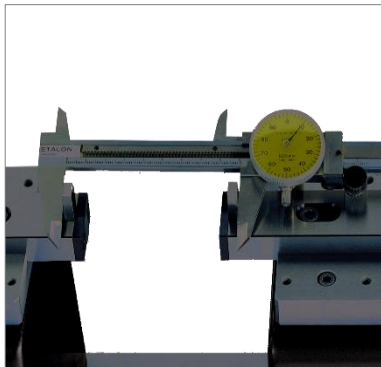
Setting of a large gauge



Setting of two points internal and external comparative measuring equipment (TEL5, TELMA7, TELMN7.2)



Checking of external micrometer held on a support (TA-SU-313, LABC20.1/SP02, TEL5)



Checking of calipers (TEL 5.10)



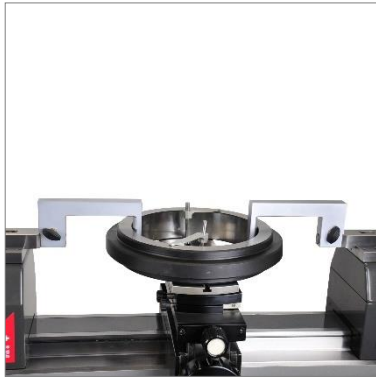
Setting of 2-point bore gauges with holder (TA-SU-313, TA-SU-318, TEL5)



Manually checking of external micrometer (TEL5, TEL 11)



Manually checking of external micrometer (TA-SU-301, TEL5)



Checking of ring gauges
(TA-SU-313, TA-MI-370, TA-SU-304)



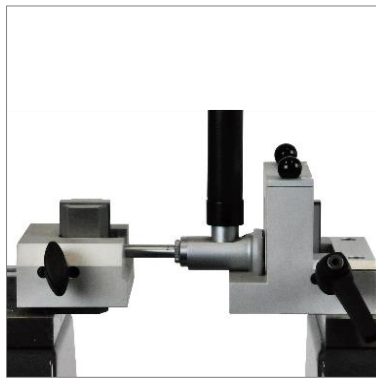
Checking of thread plug gauges
(from m100 upwards)
(TA-SU-313, TEL6, 3P/0.17-3.2/S6.5)



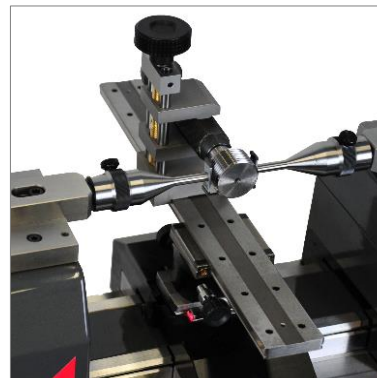
Setting of 2-point internal
measuring equipment
(TELMA7)



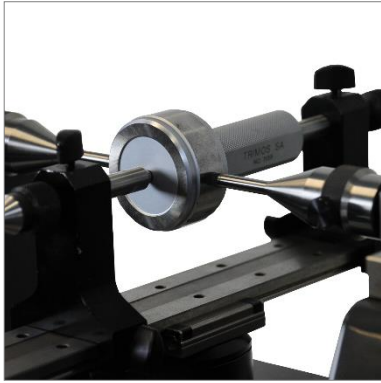
Checking of dial indicators
and comparators
(TEL 5CN)



Setting of 2-point bore gauges
(TA-SU-301, TEL5)



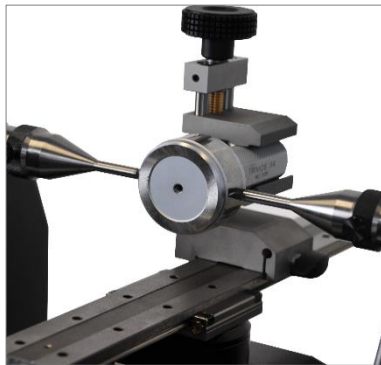
Checking of thread plug gauges
(max. M100/ø 4",
length 280 mm/11")
(TEL6, 3P/ 0.17-3.2/ S6.5, LABC15)



Checking of plug gauges and pin gauges (max. \varnothing 100mm/4", length 280mm/11") (TULM6/L0.5, LABC15)



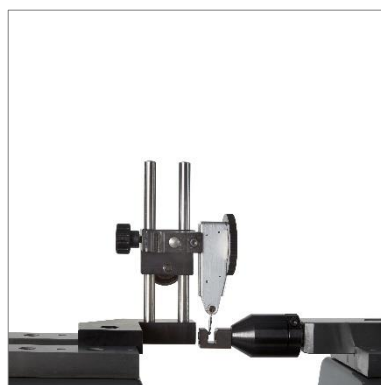
Checking of dial indicators and comparators (TA-IH-301)



Checking of plug gauges and pin gauges (max. \varnothing 100mm/4", length 280mm/11") (TULM6/L0.5, LABC15)



Checking of plug gauges (larger than dia. 100mm) (TEL6, TA-SU-313, TULM6/L0.5, TA-SU-304)



Checking of test indicators (TULM 15.1)

