



More information on the website
radwag.com/en/info,w1,S8Z

C315.15/30.F1.M Load Cell Platform Scale



The drawings, photos and graphics used are for illustrative purposes only.

Functions



Plus/Minus Control



Percent Weighing



Totalizing



Parts counting



Internal battery



Peak hold



Newton unit measurement



GLP Procedures



Animal weighing



ALIBI Memory

Datasheet

Metrological parameters	
Maximum capacity [Max]	15/30 kg
Minimum load	100 g
Readability [d]	5/10 g
Verification scale interval [e]	5/10 g
Tare range	-30 kg
OIML Class	III

Physical parameters	
Display	LCD (backlit)
Protection class	IP 65 construction, IP 43 indicator
Weighing pan dimensions	300×300 mm
Packaging dimensions	500×390×410 mm
Net weight	5,3 kg
Gross weight	6,6 kg
Communication interface	
RS232 Interface	1× standard, 1× option
Electrical parameters	
Power supply	100 – 240 V AC 50/60 Hz and battery
Power consumption max.	5 W
Operation time on batteries	max 8h
Environmental conditions	
Operating temperature	-10 ÷ +40 °C
Storage temperature	-10 ÷ +50 °C
Relative humidity	10% ÷ 85% RH no condensation
Indicator	C315
Weighing pan material	stainless steel AISI304
Construction	
Construction	mild steel St3S



Accessories

RS 232 cables (scale - printer)
 Cigarette lighter receptacle power supply cables
 Displays
 Antivibration Tables
 RS 232 – Ethernet Converter
 AP2-1 Current Loop Unit

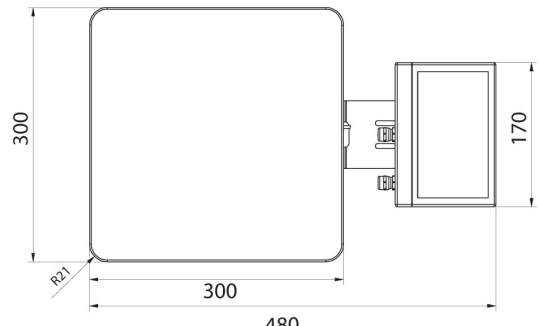
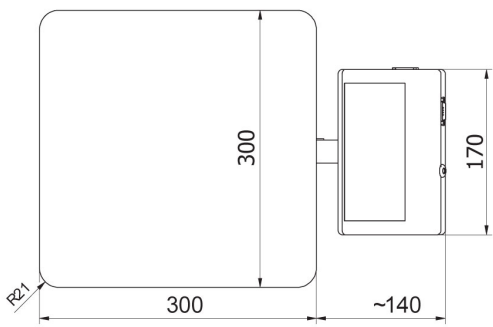
RS 232, RS 485 cables
 RS 232 – USB Converter
 RS 232 – RS 485 Converter
 Receipt Printer
 Stands, wall mounting kits and mounting brackets

Software

RAD-KEY
 R Panel
 Scales Editor 2.1

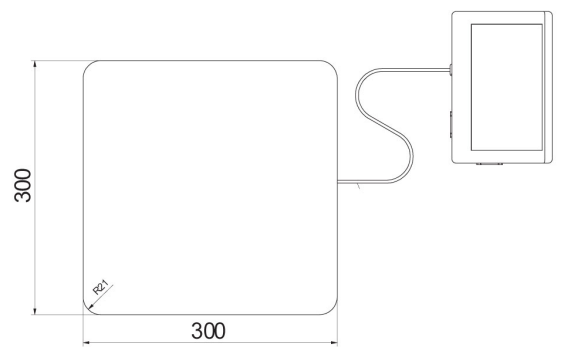
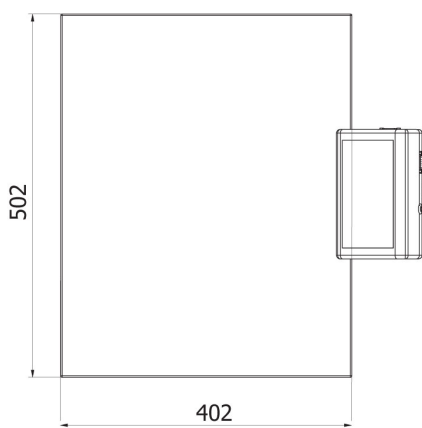
LabVIEW Driver
 R-LAB

Device dimensions



C315.F1.M

C315.F1.R



C315.C2.M

C315.C2.K