

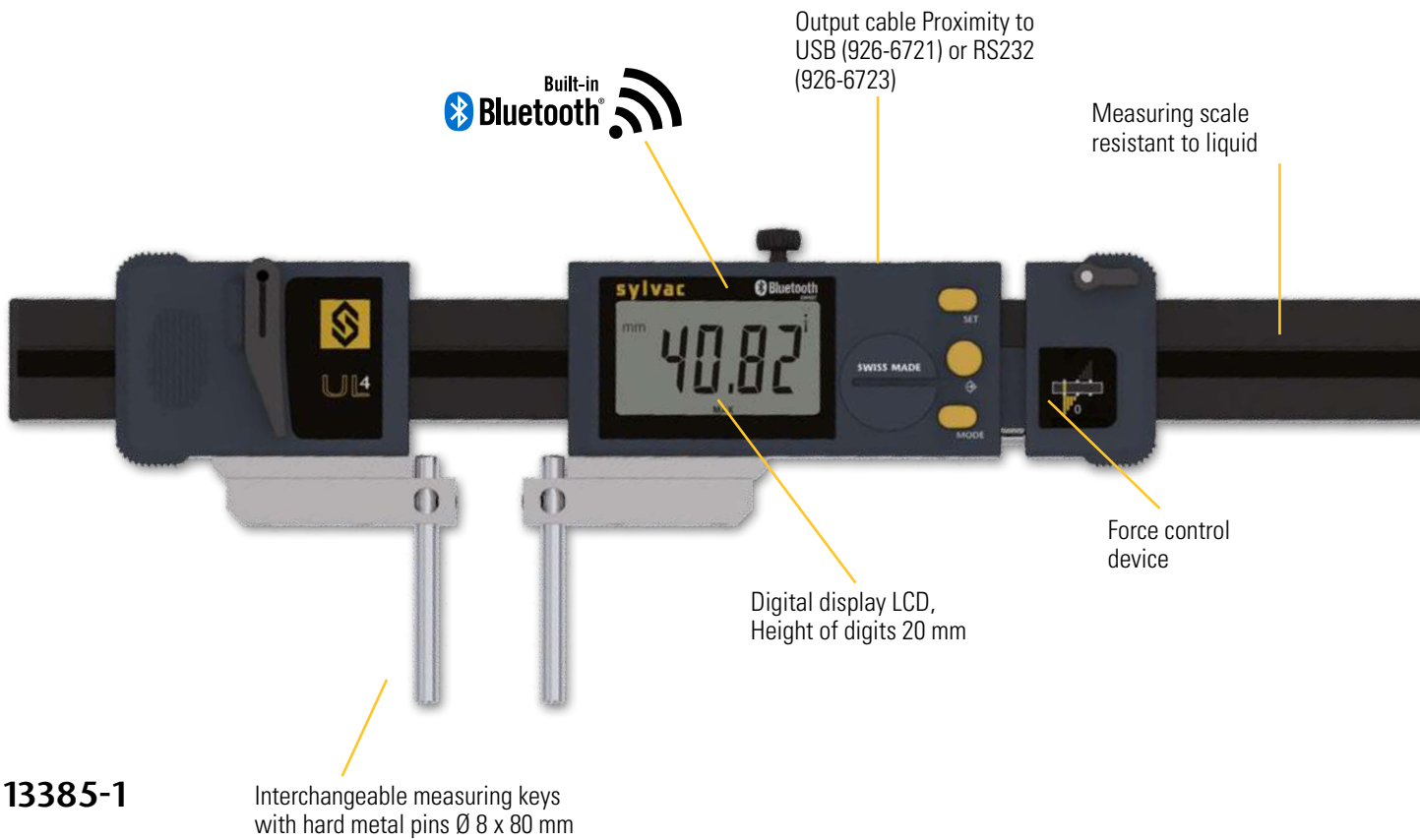
Ultra light caliper

ULH4

DESCRIPTION

- Ultra-light, large universal instrument with integrated Bluetooth® system
- Frame made of special aluminium profile reinforced with 4 stainless steel guide rods
- New XXL display unit with digits 20 mm high
- Three buttons, including the central button with selectable favourite function
- Measuring force control device
- Supplied with interchangeable measuring keys with hard metal pins Ø 8 x 80 mm
- Numerous other measuring keys available as options
- Lever-lockable movable left jaw
- Additional data output Proximity
- Measuring range 400 to 3000 mm
- Protection class IP67

C



SWISS MADE

Built-in Bluetooth®

PROXIMITY

WATER RESISTANT

IP67

Interchangeable keys

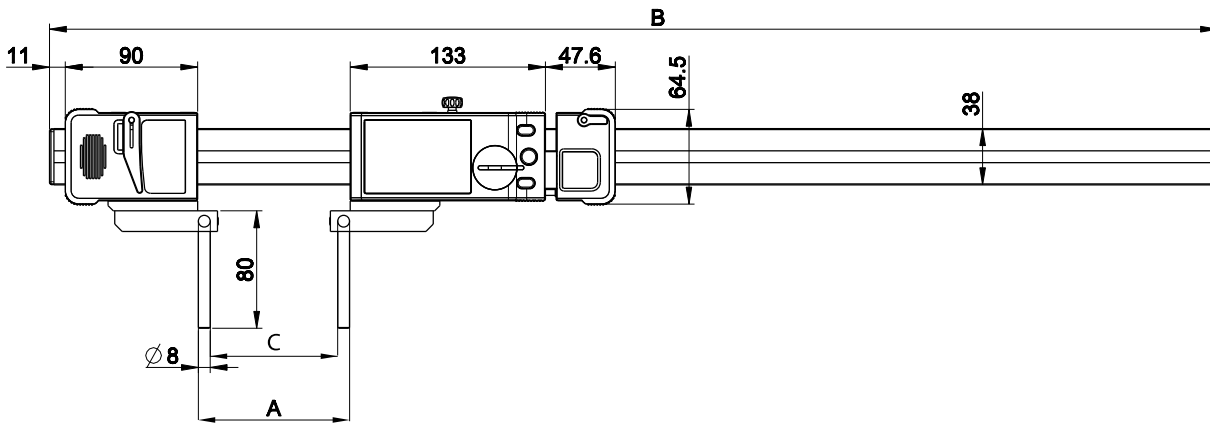




Ultra light caliper

UL H4

DIMENSIONAL DRAWING



TECHNICAL SPECIFICATIONS

| | | 811-8040 | 811-8060 | 811-8100 | 811-8150 | 811-8200 | 811-8250 | 811-8300 | |
|----------------------------|----|---|----------|----------|----------|----------|----------|----------|--|
| Model | mm | 400 | 600 | 1000 | 1500 | 2000 | 2500 | 3000 | |
| Max. Error | µm | 30 | 40 | 50 | 90 | 120 | 150 | 200 | |
| Repeatability | µm | 20 | | | | 30 | | | |
| Resolution | mm | 0.01 | | | | | | | |
| A | mm | 26-480 | 26-685 | 26-1095 | 26-1610 | 26-2125 | 26-2640 | 26-3155 | |
| C | mm | 10-464 | 10-669 | 10-1079 | 10-1594 | 10-2109 | 10-2624 | 10-3139 | |
| B | mm | 796 | 1001 | 1411 | 1926 | 2441 | 2956 | 3471 | |
| Measuring Force | N | 7.5 - 11.5 (±20%) | | | | | | | |
| Output data | | Bluetooth® wireless technology* / RS232 / USB | | | | | | | |
| IP67 Protection | | ● | | | | | | | |
| Preset max. | | ±9999.99 mm / ±399.9995 IN | | | | | | | |
| Weight | kg | 1.1 | 1.2 | 1.5 | 1.9 | 2.2 | 2.5 | 2.9 | |
| Setting by PC | | ● | | | | | | | |
| 2 references | | ● | | | | | | | |
| Min/Max function | | ● | | | | | | | |
| Tolerance limit indicators | | ● | | | | | | | |

* Up to 8 instruments connected per dongle #981-7100