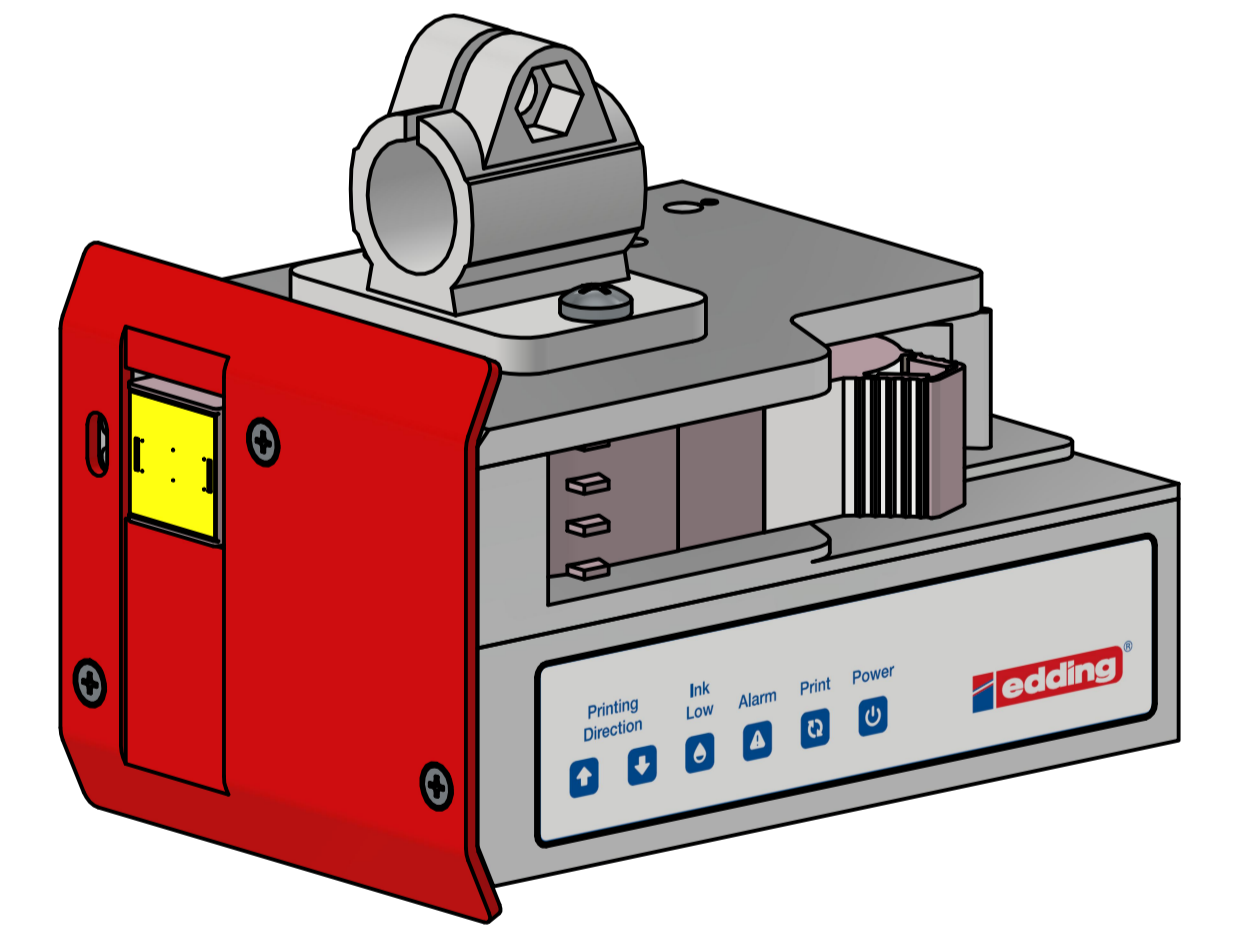
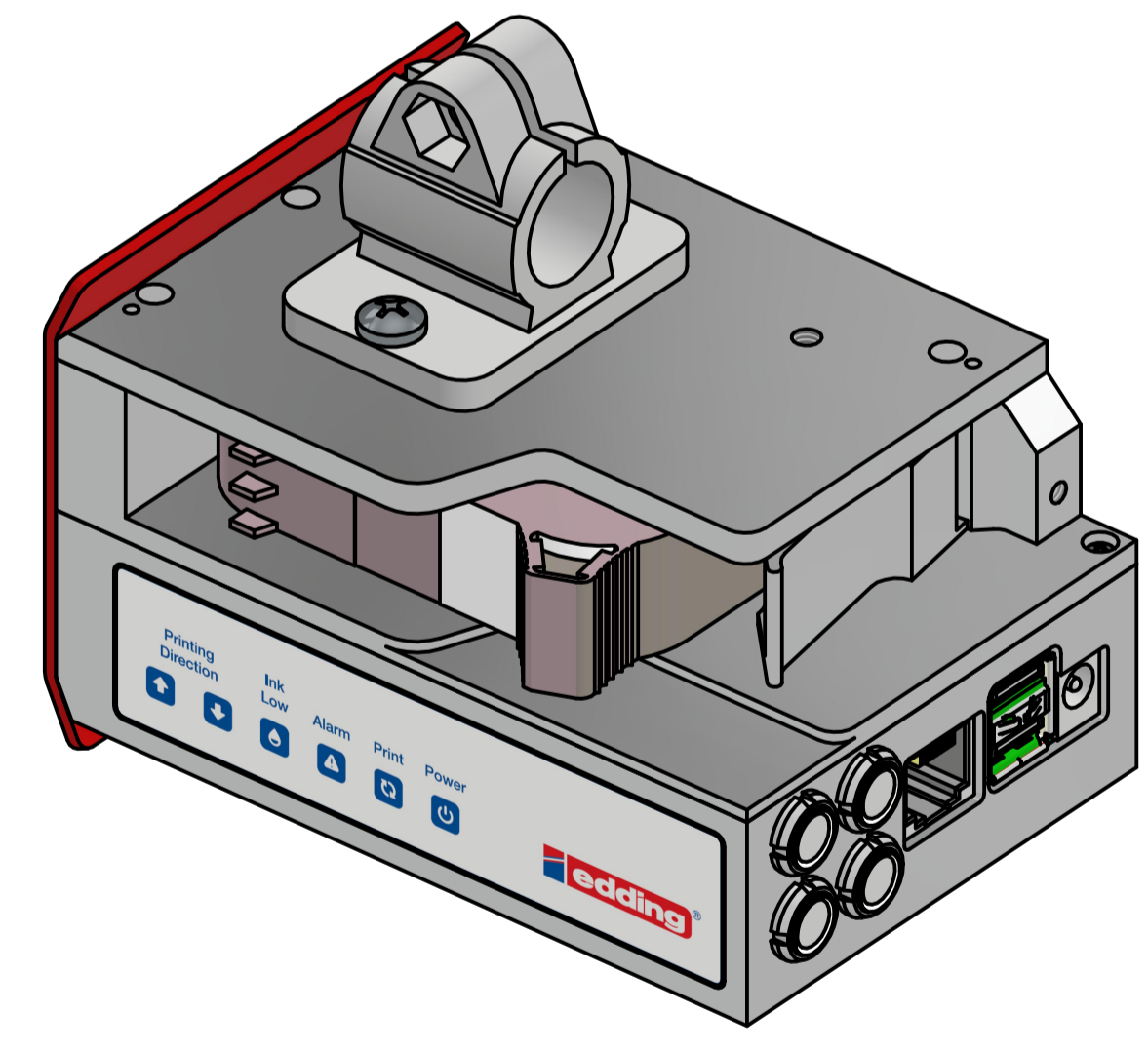
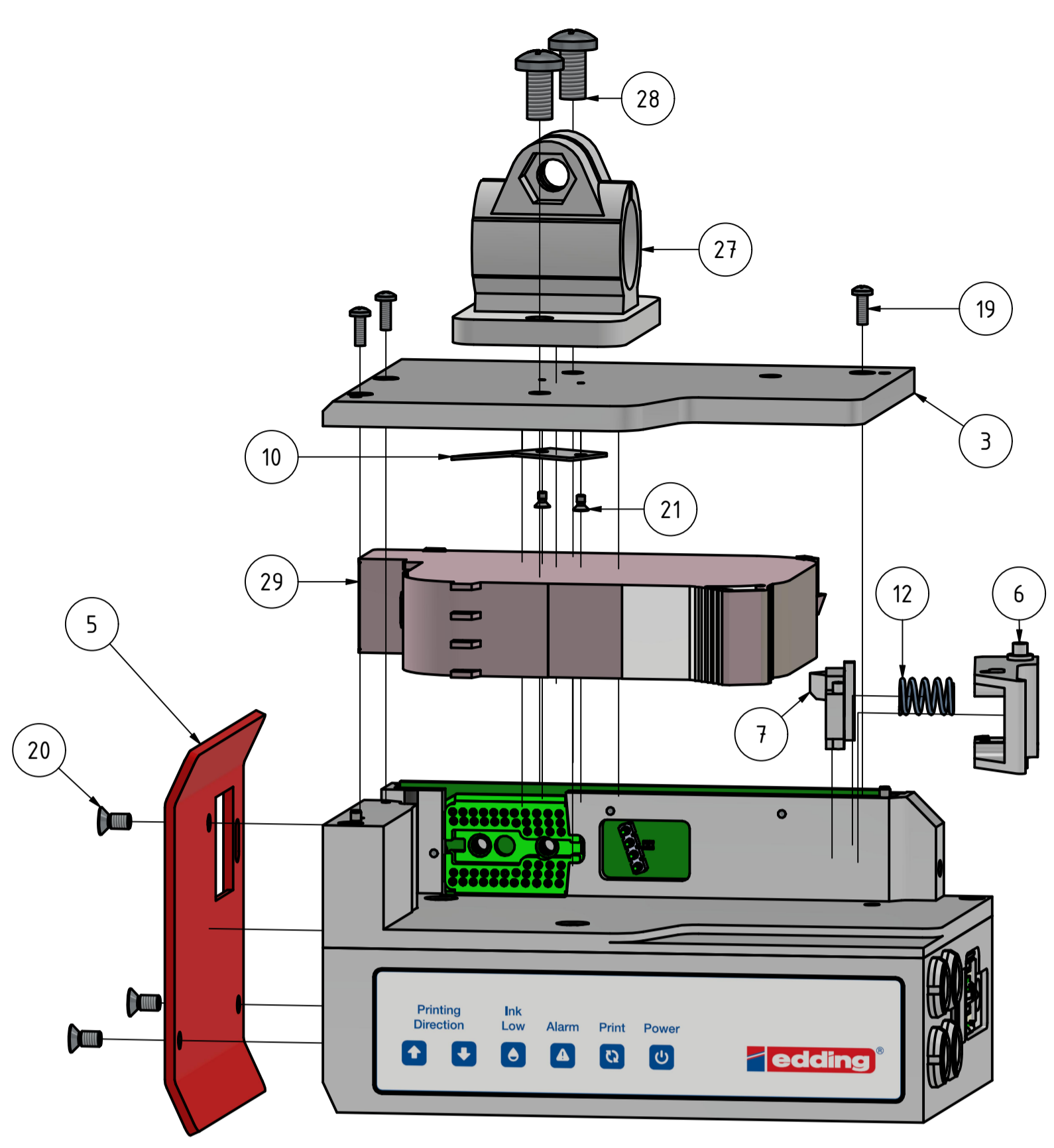
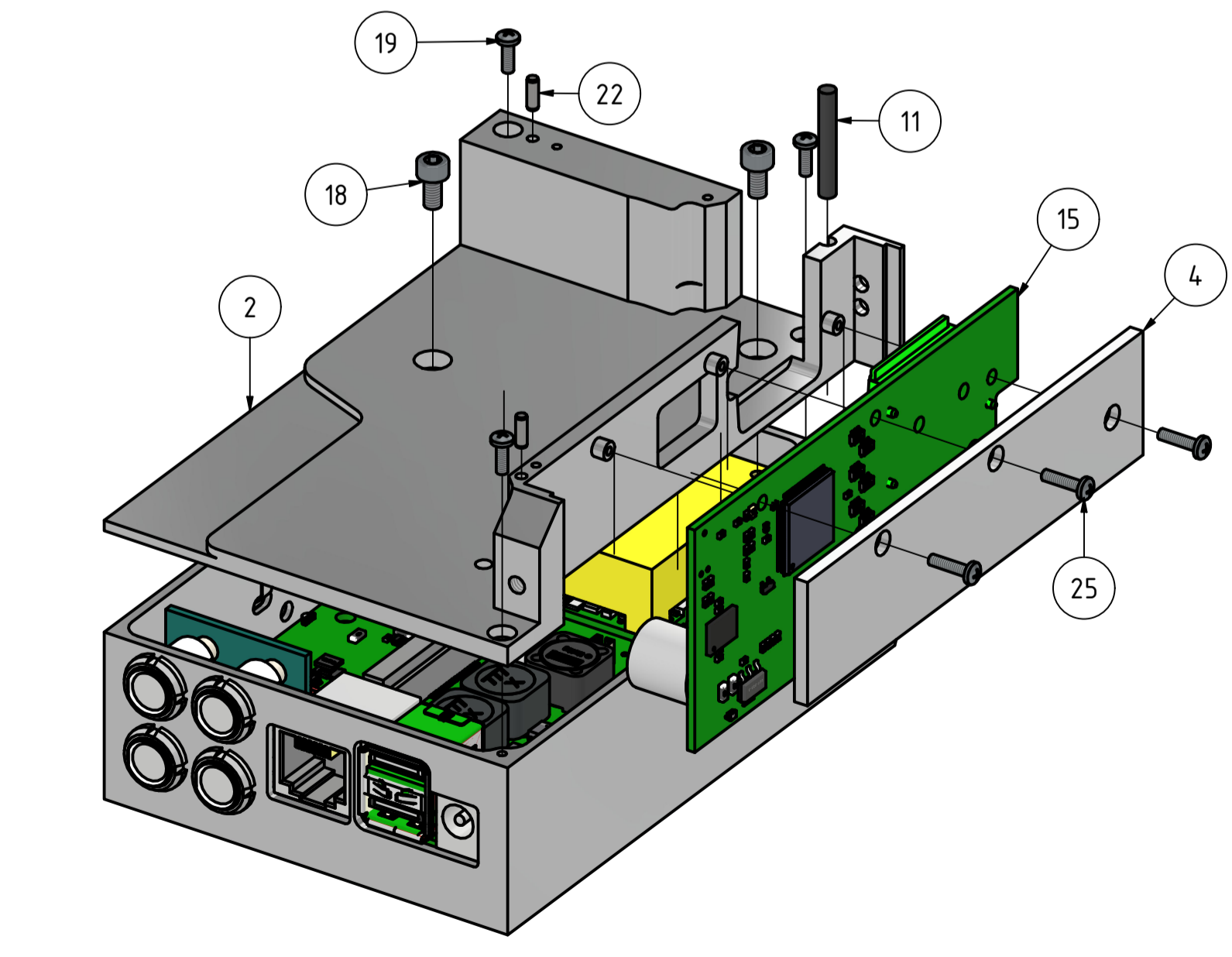
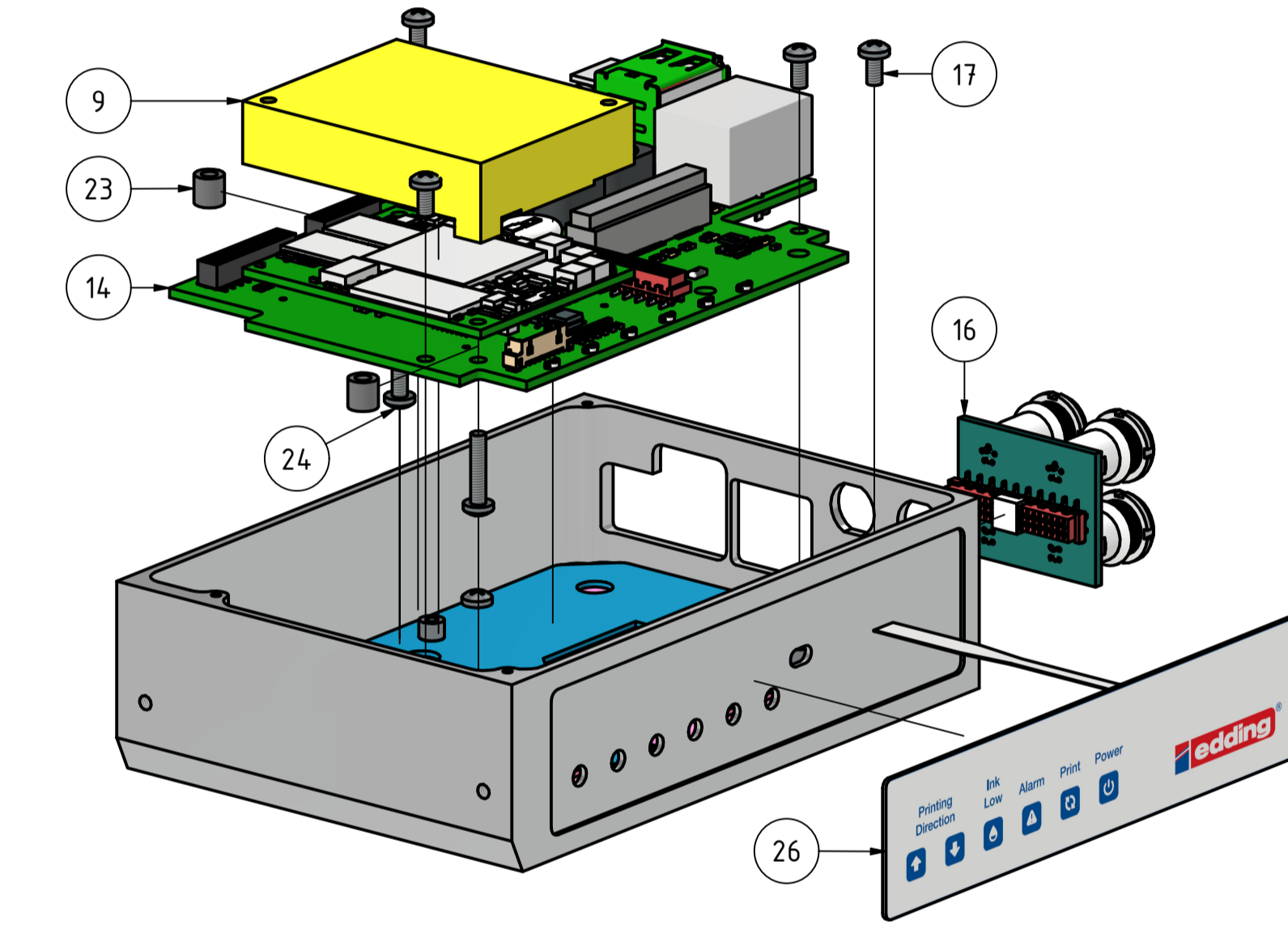
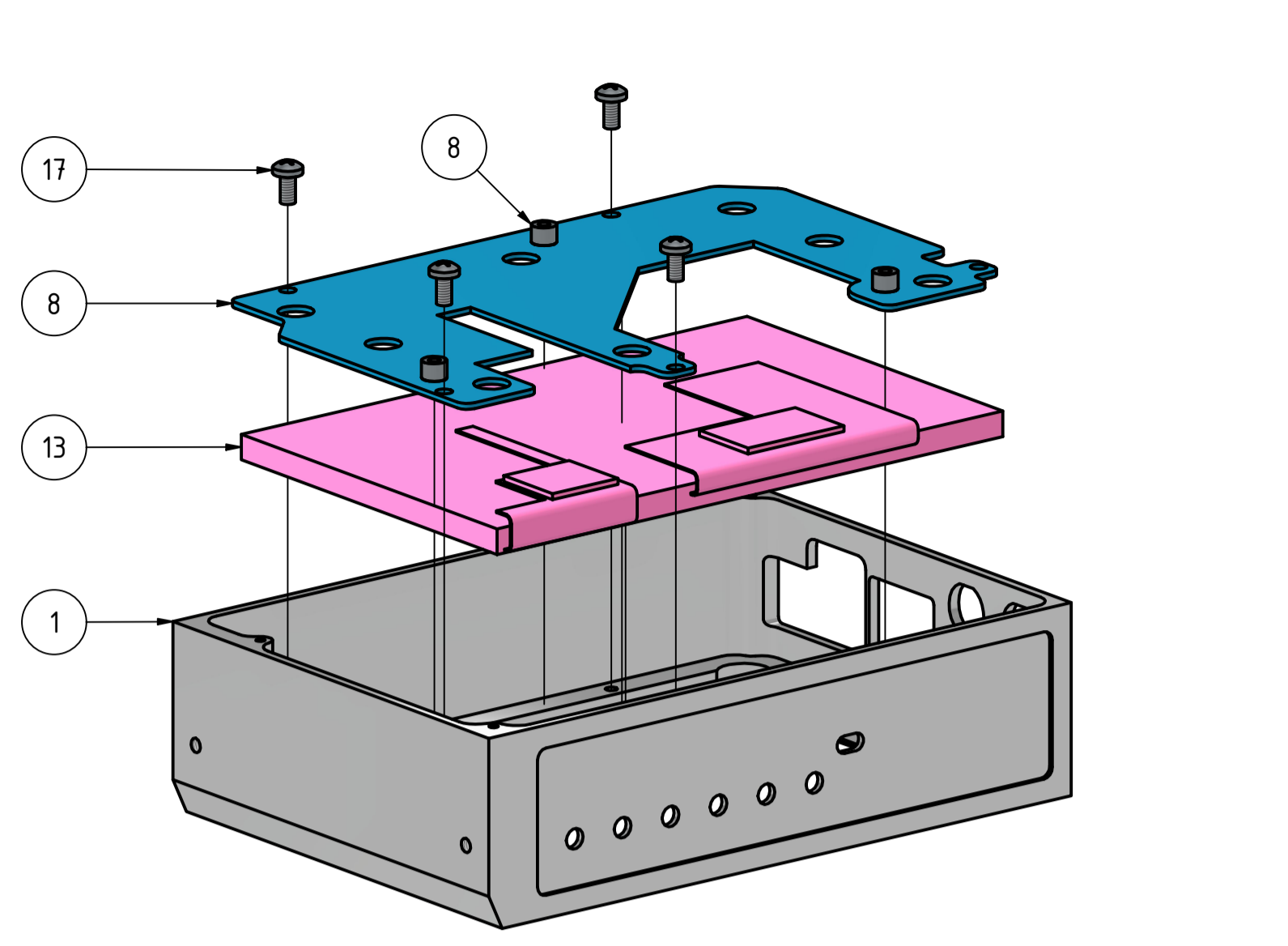


12 11 10 9 8 7 6 5 4 3 2 1



COMPONENT LIST			
OBJECT	QUANTITY	ARTICLE NUMBER	DESCRIPTION
1	1	LO-E-I-RGE-V2	Computer housing
2	1	LO-E-I-PG/LO-E-I-25-PG	in-line 12 storage plate/in-line 25 storage plate
3	1	LO-E-I-GP	Base plate
4	1	LO-E-I-DE	Cover
5	1	LO-E-I-BL/LO-E-I-25-BL	in-line face-plate/in-line 25 face plate
6	1	LO-E-I-RH	Detent lever
7	1	LO-E-I-FB	Spring hanger
8	1	LO-E-I-MP	Mounting plate
9	1	LO-E-I-KK	Heat sink
10	1	LO-E-I-FBL	Spring sheet
11	1		
12	1	LO-E-I-HF-FB	Retaining spring for spring hanger
13	1	LO-E-DP	Display
14	1	LO-E-I-MB-REV4	Mainboard Rev 4
15	1	LO-E-PCB-REV4	Cartridge Controller Rev 4
16	1	LO-E-I-CB	Connectorboard Rev 0
17	8	LO-E-TX-FKS-M2,5X5	Flat-head screw M2,5x5
18	2	LO-E-ZKS-ISK-M3X6	Hexagon socket head screw M3x6
19	6	LO-E-TX-FKS-M2X6	Flat-head screw M2x6
20	3	LO-E-TX-SS-M3X6	Countersunk screw M3x6
21	2	LO-E-TX-SS-M1,6X3	Countersunk screw M1,6x3
22	2	LO-E-ZS-2X6	Pin ISO2338 2x6mm A1
23	2	LO-E-IDH-M2,5-2,7	Spacer sleeve for M3,5-M2,7
24	2	LO-E-TX-FKS-M2,5X12	Flat-head screw M2,5x12
25	3	LO-E-TX-FKS-M2X8	Flat-head screw M2x8
26	1	LO-E-TF-E-PB	Keyboard foil
27	1	LO-Z-FLKS	in-line 12 Flange clamping piece
28	2	LO-E-I-ZS-M5	Cylinder screw M5
29	1	LO-T*	Ink Cartridge

REVISIONSVERLAUF			
REV.	BESCHREIBUNG	DATUM	GENEHMIGT
1	Erstausgabe	11.09.2023	
2		11.09.2023	

Allgemeintoleranz	Oberflächen ISO 1302	Gewicht: -
Bearb. 08.09.2023	Name	Edding in-line
Geprf.		
Norm		
		Blatt: 1 von 1
		A1

Diese Zeichnung ist Eigentum der Firma Edding im Sinne des Urheberrechts und darf ohne deren Einverständnis weder vervielfältigt noch weitergegeben werden.

12 11 10 9 8 7 6 5 4 3 2 1