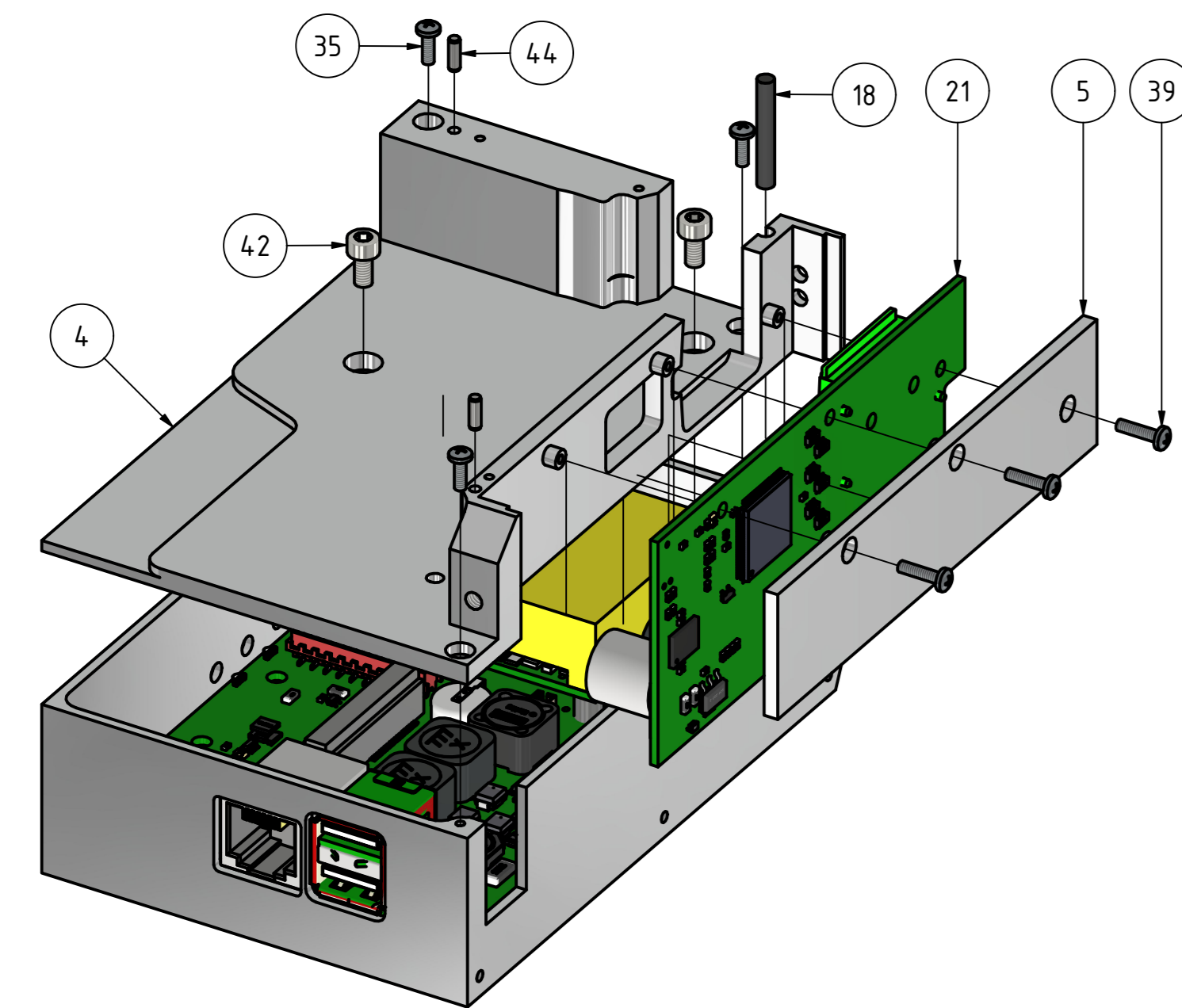
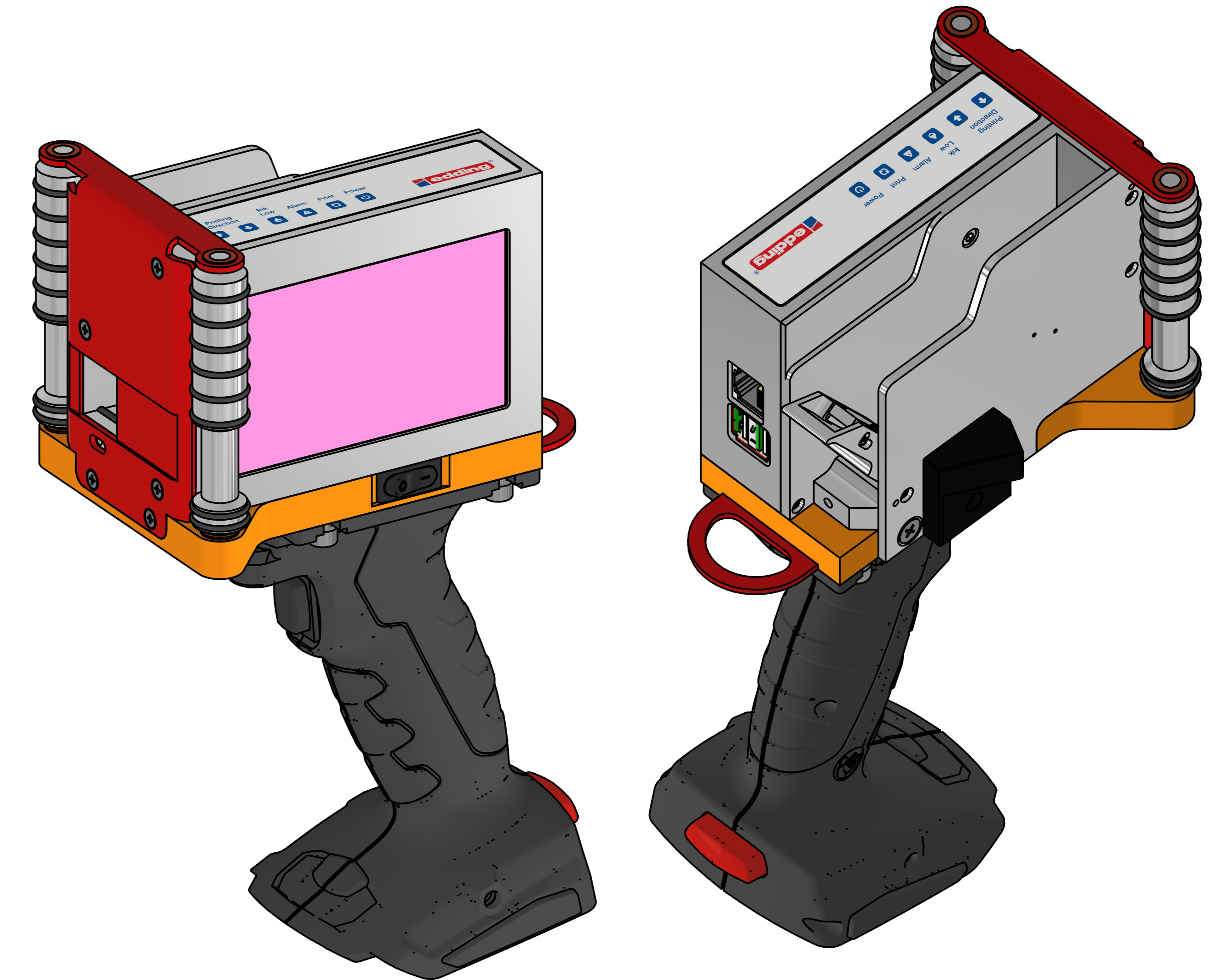
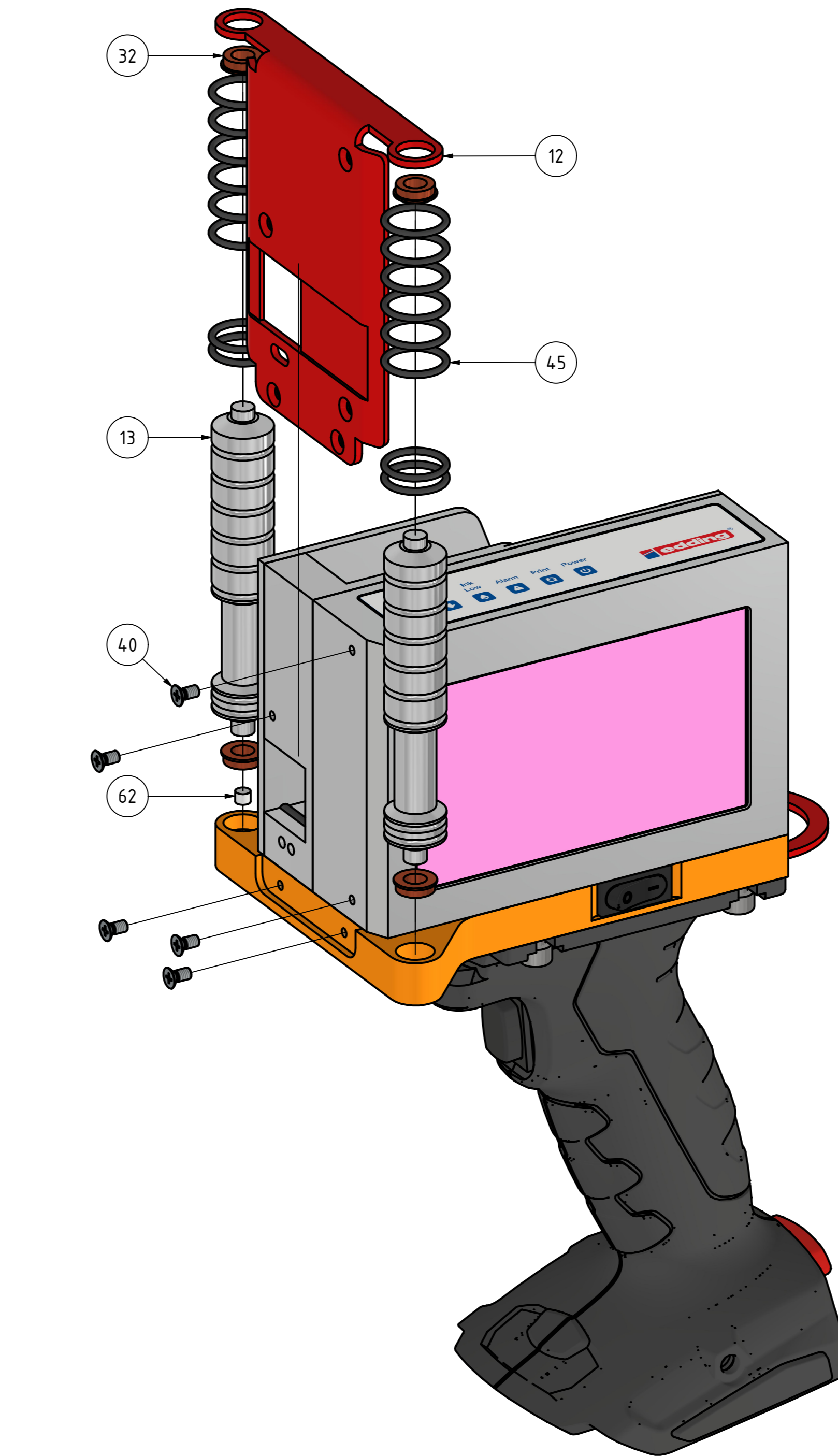
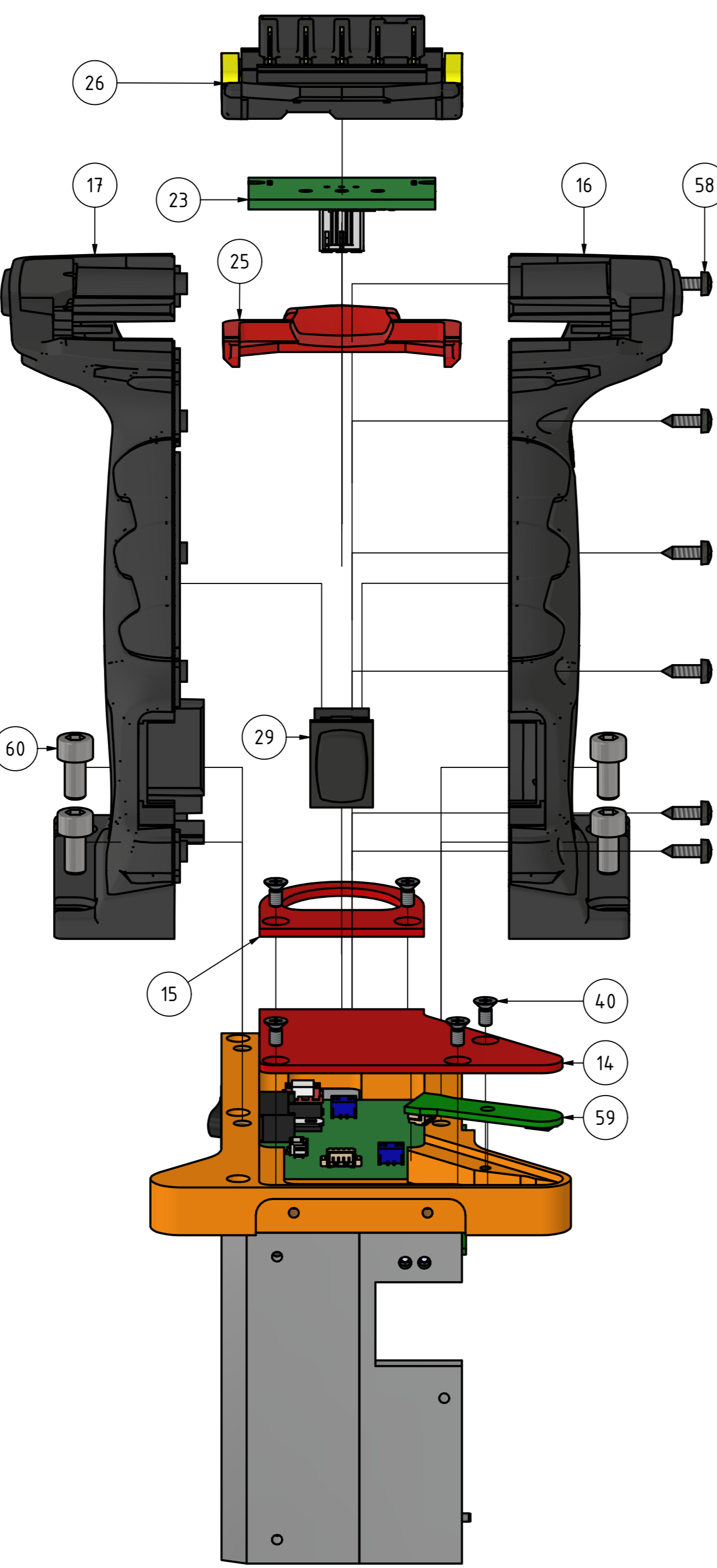
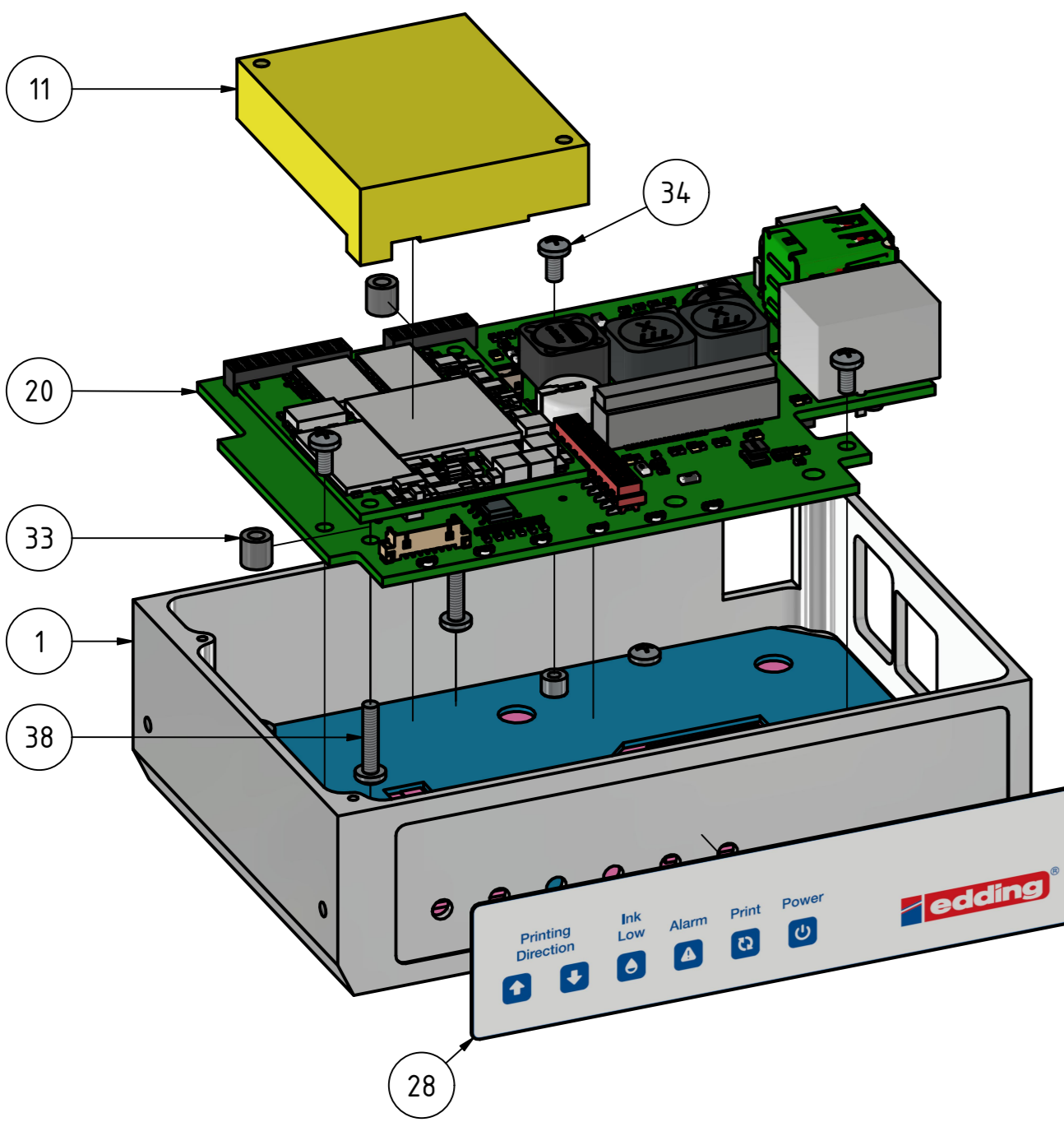
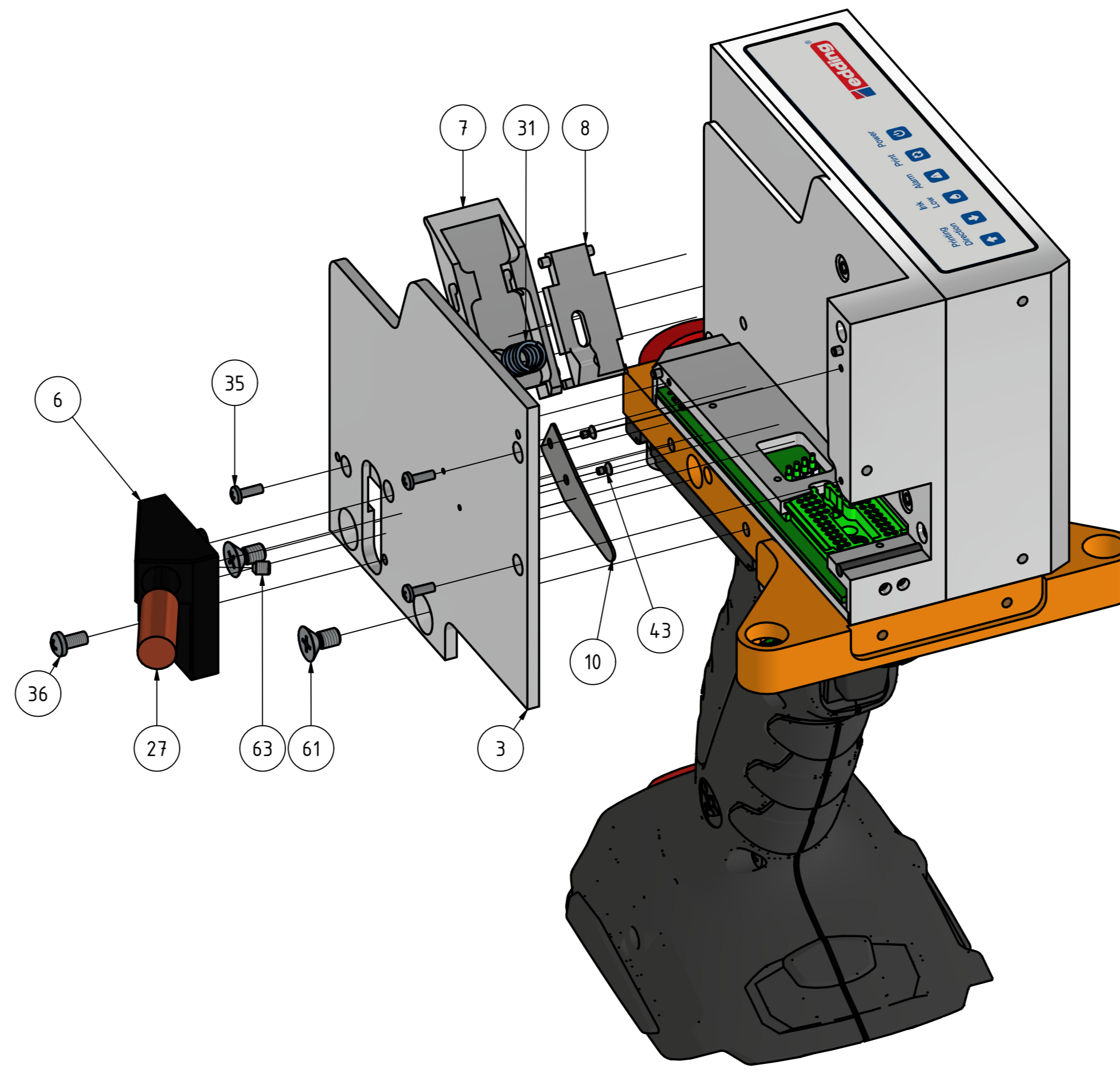
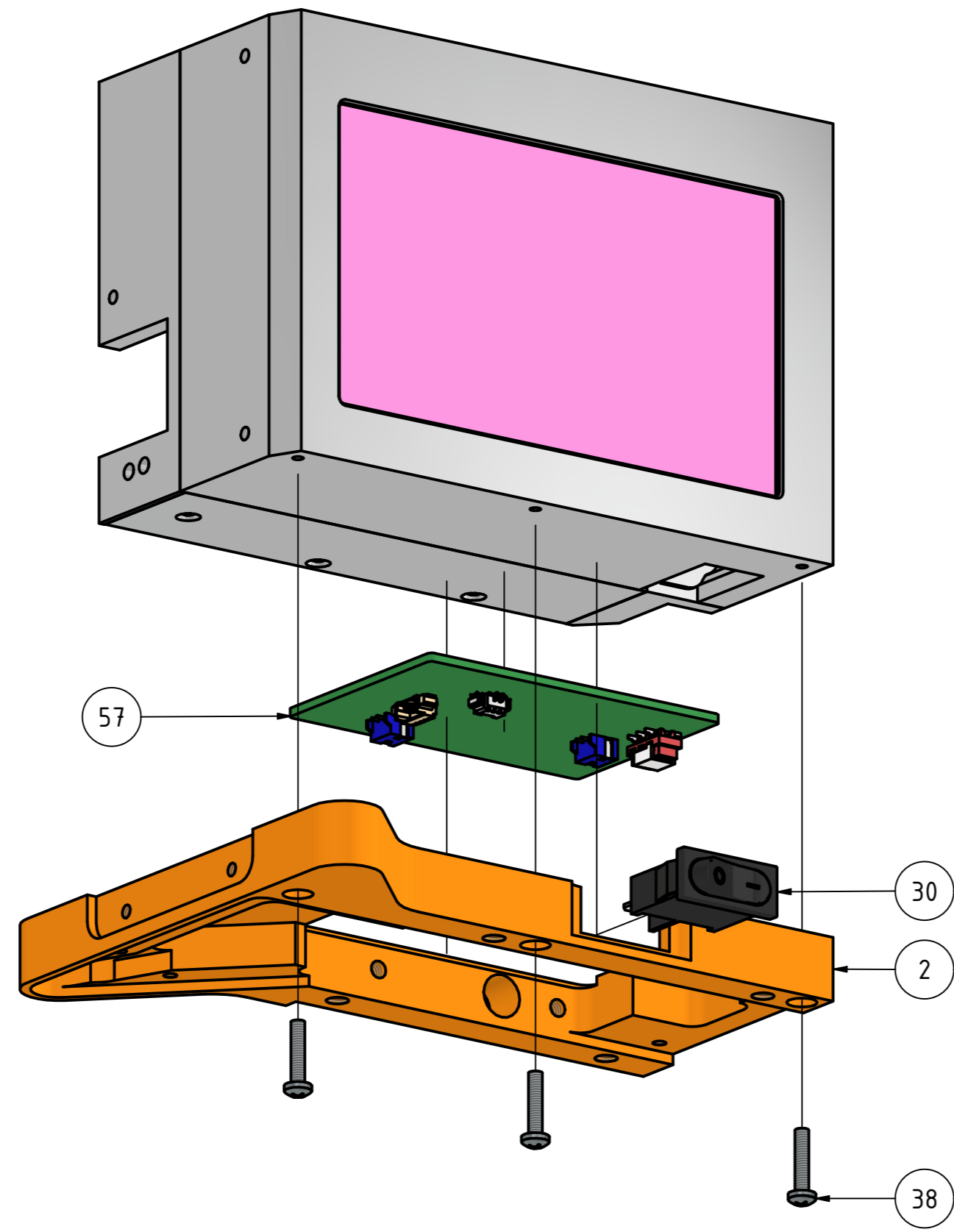
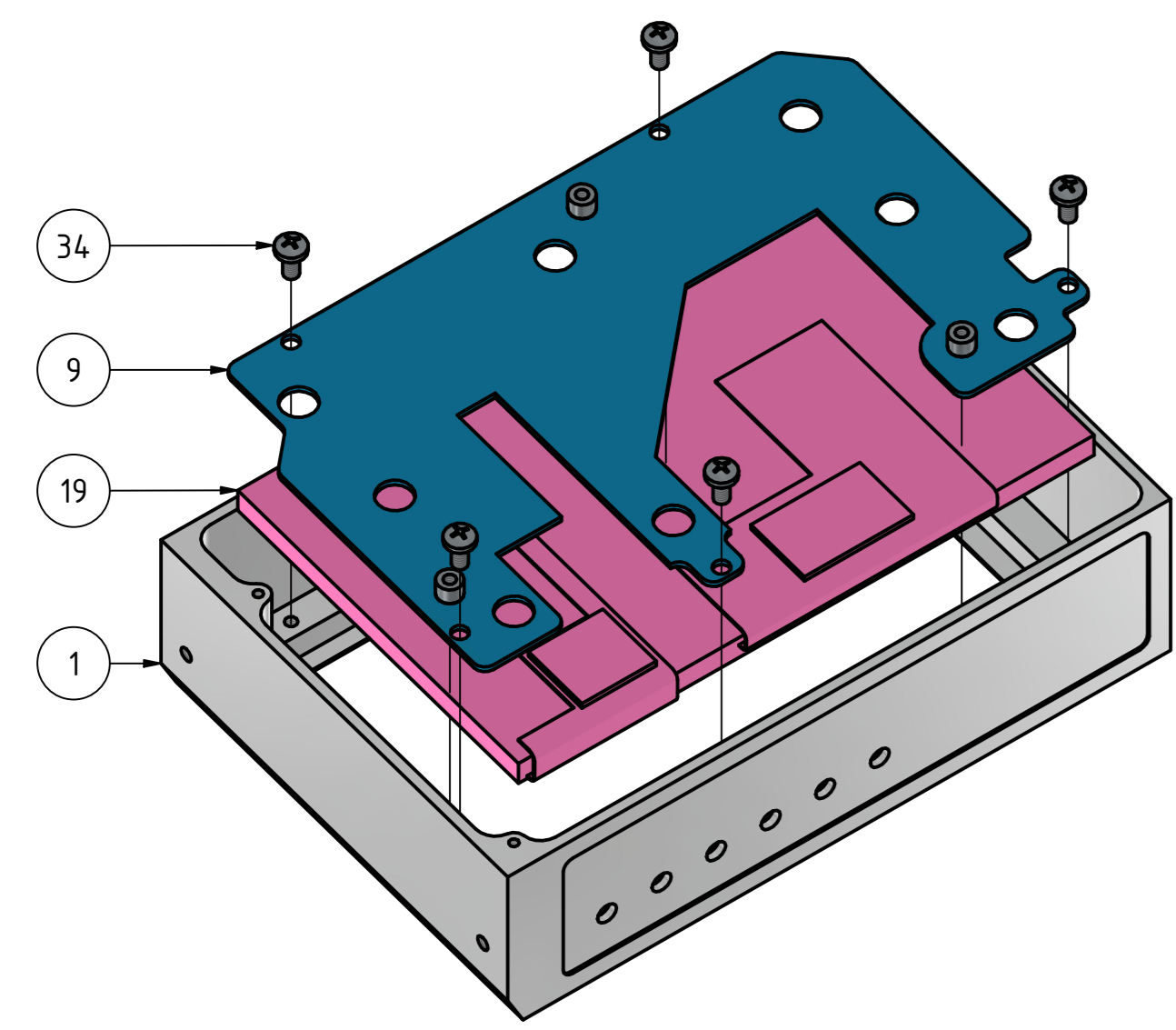


COMPONENT LIST			
OBJECT	QUANTITY	ARTICLE NUMBER	DESCRIPTION
1	1	LO-E-PO-RGE-V2	Computer housing
2	1	LO-E-PO-LP	Storage plate
3	1	LO-E-PO-GP	Base plate
4	1	LO-E-IPG/ LO-E-ZS-RO	in-line 12 cartridge housing / in-line 25 cartridge housing
5	1	LO-E-I-DE	Cover
6	1	LO-E-PO-LG	Laser housing
7	1	LO-E-I-RH	Detent lever
8	1	LO-E-I-FB	Spring hanger
9	1	LO-E-I-MP	Mounting plate
10	1	LO-E-I-FBL	Spring sheet
11	1	LO-E-I-KK	Heat sink
12	1	LO-E-PO-BL/ LO-E-PO-ZS-BL	portable 12 face-plate / portable 25 face-plate
13	2	LO-E-PO-RO	Roll
14	1	LO-E-PO-ED	Encoder cover
15	1	LO-E-PO-OE	Eyelet
16	1	LO-E-PO-GG	Glass fibre handle
17	1	LO-E-PO-GG	Glass fibre handle
18	1		
19	1	LO-E-DP	Display
20	1	LO-E-PO-MB-REV4	Mainboard Rev.4
21	1	LO-E-PCB-REV4	Cartridge-Controller Rev.4
23	1	LO-E-PO-BC	Battery control Rev 2
25	1	LO-E-PO-AS	Locking slider
26	1	LO-E-PO-BC	Battery control Rev 2
27	1	LO-E-PO-KS	Laser
28	1	LO-E-TF	Keyboard foil
29	1	LO-E-PO-AT	Release button
30	1	LO-E-I-O-WS	On / Off rocker switch
31	1	LO-E-I-HF-FB	Retaining spring for spring hanger
32	4	LO-E-PO-KL	Ball bearing
33	2	LO-E-IDH-M2.5-2.7	Spacer sleeve for M3.5-M2.7
34	8	LO-E-TX-FKS-M2.5X5	Flat-head screw M2,5x5
35	6	LO-E-TX-FKS-M2X6	Flat-head screw M2x6
36	1	LO-E-TX-FKS-M3X6	Flat-head screw M3x6
38	5	LO-E-TX-FKS-M2.5X12	Flat-head screw M2,5x12
39	3	LO-E-TX-SS-M2X8	Flat-head screw M2x8
40	10	LO-E-TX-SS-M3X6	Countersunk screw M3x6
42	2	LO-E-ZKS-ISK-M3X6	Hexagon socket head screw M3x6
43	2	LO-E-TX-SS-M1.6X3	Countersunk screw M1,6x3
44	2	LO-E-ZS-2X6	Pin ISO 2338 - 2 m6 x 6
45	16	LO-E-PO-LR	Rings for rollers
57	1	LO-E-PO-IVP	Connection board
58	6	LO-E-KS-LK-2.9X9.5	Round Phillips-head screw M
59	1	LO-E-PO-EB	Encoderboard Rev 3
60	4	LO-E-ZKS-ISK-M5X10	Hexagon socket head screw M5 x 10
61	2	LO-E-TX-SS-M4X8	Countersunk screw M4x8
62	1	LO-E-PO-ME	Magnet for encoder
63	1	LO-E-GS-ISK-M3X4	Hexagon socket set screw M3x4



REVISIONSVERLAUF			
REV.	BESCHREIBUNG	DATUM	GENEHMIGT
1	Ersf. ausgabe	11.09.2023	
Allgemeinleiter		Überl. nach ISO 15027	Gewähr: -
Datum: 11.09.2023		Name: edding portable 12	
Name:		Blatt 1 von 1	
Datei:		AO	