



Lever probe

S_Probe LPD Smart

DESCRIPTION

- Lever probe with Bluetooth® technology integrated
- Unique on the market !
- Instrument for checking linear and circular geometry
- M2 stylus with Ø 3 mm tungsten carbide ball, swivelling and interchangeable
- Powered by CR2477 lithium battery
- Option to install a 32.3 mm long probe (optional)
- Compatible with our Sylcom and Vmux software and our D62S*, D300S and D400S* display units

Built-in Bluetooth®



Measuring stylus with tungsten carbide ball Ø 3 mm, movable over ±90°, interchangeable, M 2

Stylus length 32.3mm (accessory)



Circular geometry and location measurement on lathe counter-spindle



Circular geometry measurement and localization on milling machines

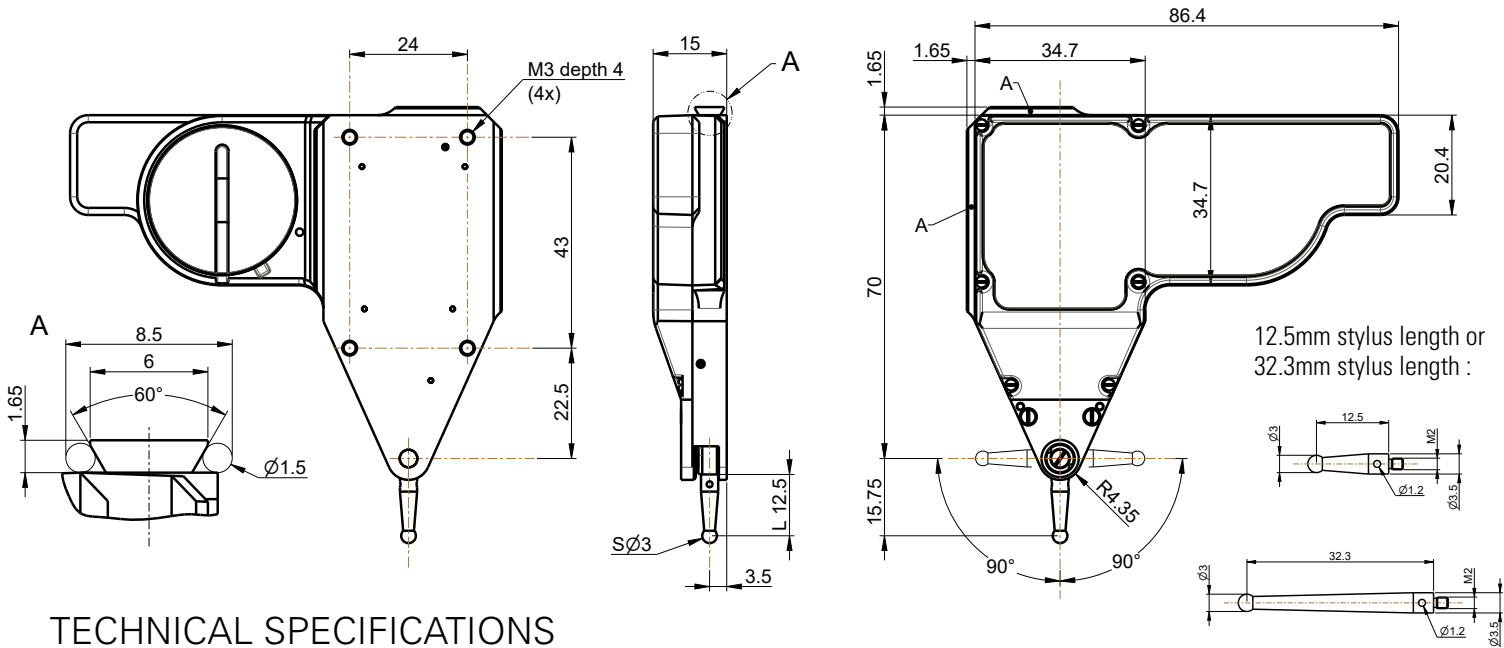
SWISS MADE
IP40

H

Lever probe

S_Probe LPD Smart

DIMENSIONAL DRAWINGS



TECHNICAL SPECIFICATIONS

		801-3006
Type		LPD Smart
Force	cN	4 - 19 cN $\pm 20\%$ / 2 - 9 cN $\pm 20\%$ ¹⁾
Measuring range	mm	$\pm 0.6 / \pm 1.3$ ¹⁾
Resolution	μm	0.01
Stylus length	mm	12.5 / 32.3 ¹⁾
Max. Error	μm	0.8 / 2 ¹⁾
Local max. Error	μm	0.3 / 0.7 ¹⁾²⁾
Repeatability	μm	0.07 / 0.15 ¹⁾
Max. hysteresis (Fu)	μm	0.5 / 1 ¹⁾
Weight	g	112
Protection		IP40
Output data		Bluetooth® wireless technology

¹⁾ with stylus 32.3mm, reference 801-8004, option

²⁾ max. local error over 50 μm , unidirectional

STANDARD DELIVERY

- Instrument according to technical specifications
- Lithium battery CR2477 included
- Quickstart
- Clamping stem $\varnothing 8$ mm (801-8002)
- 1 contact point M2, with MD ball $\varnothing 3$, length 12.5mm
- Calibration certificate